

**NUX**



**LOOP CORE**  
DELUXE

循环效果器

Owner's Manual 操作指南

**Copyright**

Copyright 2017 Cherub Technology Co. All rights reserved. NUX and LOOP CORE DELUXE are trademarks of Cherub Technology Co. Other product names modeled in this product are trademarks of their respective companies that do not endorse and are not associated or affiliated with Cherub Technology Co.

**Accuracy**

Whilst every effort has been made to ensure the accuracy and content of this manual, Cherub Technology Co. makes no representations or warranties regarding the contents.

**WARNING!-IMPORTANT SAFETY INSTRUCTIONS  
BEFORE CONNECTING, READ INSTRUCTIONS**

**WARNING:** To reduce the risk of fire or electric shock, do not expose this appliance to rain or moisture.

**CAUTION:** To reduce the risk of fire or electric shock, do not remove screws. No user-serviceable parts inside. Refer servicing to qualified service personnel.

**CAUTION:** This equipment has been tested and found to comply with the limits for a Class B digital device pursuant to Part 15 of FCC Rules. Operation is subject to the following two conditions:  
(1) This device may not cause harmful interference, and (2) this device must accept any interference received, including interference that may cause undesired operation.



The lightning symbol within a triangle means "electrical caution!" It indicates the presence of information about operating voltage and potential risks of electrical shock.



The exclamation point within a triangle means "caution!" Please read the information next to all caution signs.

1. Use only the supplied power supply or power cord. If you are not sure of the type of power available, consult your dealer.
2. Do not place near heat sources, such as radiators, heat registers, or appliances which produce heat.
3. Guard against objects or liquids entering the enclosure.
4. Do not attempt to service this product yourself, as opening or removing covers may expose you to dangerous voltage points or other risks. Refer all servicing to qualified service personnel.
5. Servicing is required when the apparatus has been damaged in any way, such as when the power supply cord or plug is damaged, liquid has been spilled or objects have fallen into the apparatus, the apparatus has been exposed to rain or moisture, does not operate normally or has been dropped.
6. The power supply cord should be unplugged when the unit is to be unused for long periods of time.
7. Protect the power cord from being walked on or pinched particularly at plugs, convenience receptacles and at the point where they exit from the apparatus.
8. Prolonged listening at high volume levels may cause irreparable hearing loss and/or damage. Always be sure to practice "safe listening".

*Follow all instructions and heed all warnings  
**KEEP THESE INSTRUCTIONS!***

# Introduction

## Welcome to Loop core deluxe

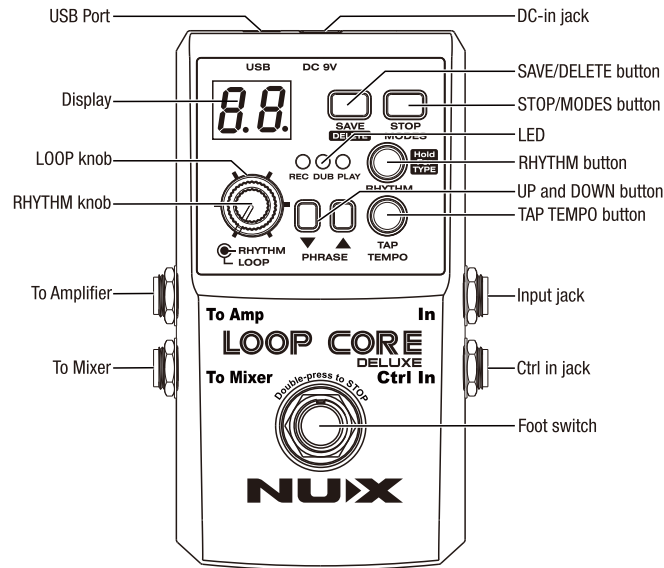
Thank you for choosing the NUX Loop Core Deluxe Pedal! As an upgraded version of the original NUX Loop Core, Loop Core Deluxe allows you to record and create music phases and play back as loops! Whether you practice, compose, or play live gigs, you will get inspired by the well-considered functions of Loop Core Deluxe.

Please take the time to read this manual carefully to get the most out of the unit. We recommend that you keep the manual at hand for future reference.

## Features

- Record and overdub as you need.
- Up to 8 Hours recording time.
- 99 user memories.
- Built-in rhythm tracks with 40 patterns, TAP Tempo function.
- Optimized drum machine frequency compensation function for 1 x 12 guitar amplifier.
- Cab simulation function.
- Buffer function to compensated signal attenuation.
- Change the playback tempo of your recorded phrase without changing the key.
- Switching phrases without latency.
- Extensional pedal (optional) for more control.
- Import and backup phrases with PC.
- True-Bypass.
- 24bit Loop Pedal with drum machine.

# Product Interface



## Product Interface

---

### Display

It indicates the memories and rhythm number and other setting information.

### LOOP knob

To adjust the playback volume level of the recorded audio.

### RHYTHM knob

To adjust the volume level of the internal rhythm tracks.

### SAVE/DELETE button

To save the current phrase or delete the phrase in current memory.

### STOP/MODES button

To select the way you want to stop during playback after you press pedal to stop.

### RHYTHM button

This is for turning on/off the rhythm or selecting rhythm patterns. ( Press this button before power on the device can let you to active the presets between application 3 ( F 3 ) and application 4 ( F 4 ). (P12, P13)

### LED indicator

#### REC

The red light indicates that you are recording.

#### DUB

The orange light indicates that you are overdubbing.

#### PLAY

The green light indicates that it's during playback of current phase.

During overdubbing, both DUB and Play will light up.

### TAP TEMPO button

Press this several times in time to set the tempo of rhythm. This can change the playback speed of a saved loop.

### UP and DOWN button

These decrement or increment the number shown in the display.

### Foot switch

To record, overdub, playback and you also press this pedal to stop, undo/redo and clear recording.

( Please see below instruction for details )

## Product Interface

---

### USB port

Connect the Loop Core Deluxe to your PC with a mini USB cable to import or backup audio data.

### DC-in jack

Loop Core Deluxe requires 9V DC/300mA with negative tip. Use the power supply with identical specifications. (i.e. Optional NUX ACD-008A)

### Input jack

This is a mono input. Plug your guitar or other instruments to this jack.

### Ctrl In jack

This is for connecting extensional pedals to stop playback, Clear a phrase, switching memories, or do Tap tempo.

( Please see below instruction for details )

### To Amp Out

This output the signal to your guitar amp.

### To Mixer

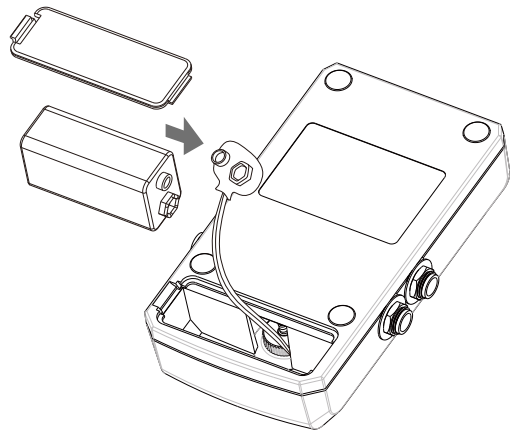
This output the signal to your mixer.

## About Battery

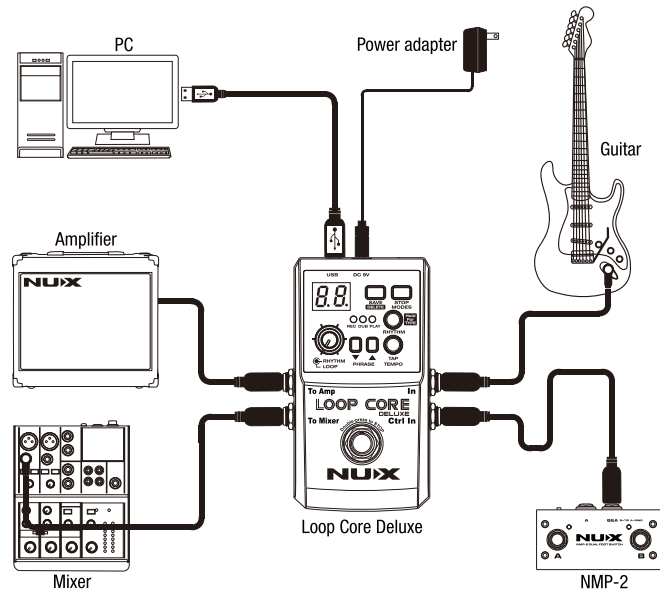
1 piece of 9V (6LR61) is supplied with the unit for testing purpose only. When battery is running out, the sound of unit gets distort. If this happens, please replace with new battery. To avoid non-necessary energy consumption, please unplug output jacks. We highly recommend you to choose NUX ACD-008A power adapter as the unit's power consumption is relatively high.

### NOTICE:

When you see "L O" sign is blinking on the display, it means that the battery is running low and you should get a battery for it.



## Connections

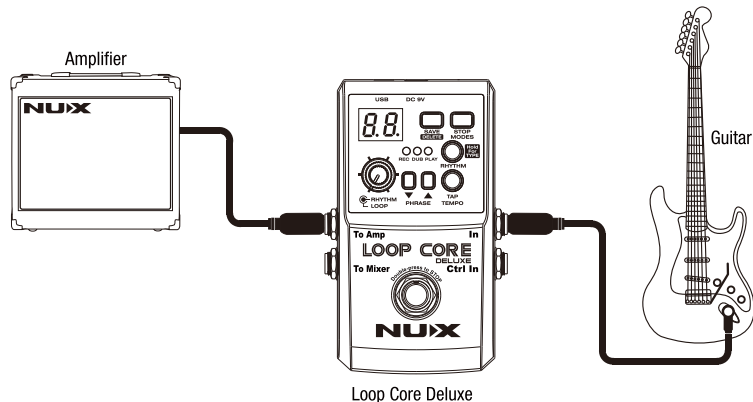


## Connections

Here we've listed 4 possible applications of Loop Core Deluxe.

### Application 1

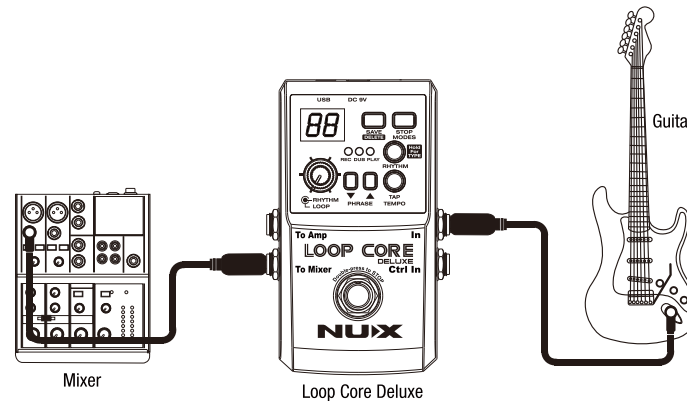
Direct output to guitar amplifier it is the most common way how guitar players uses loop pedal. If you're connecting Loop Core deluxe to a 1 x 12 guitar amplifier, we'd suggest you turn on frequency compensation function. ( Press Save/Delete button before power on the device to turn it on or off. )



## Connections

### Application 2

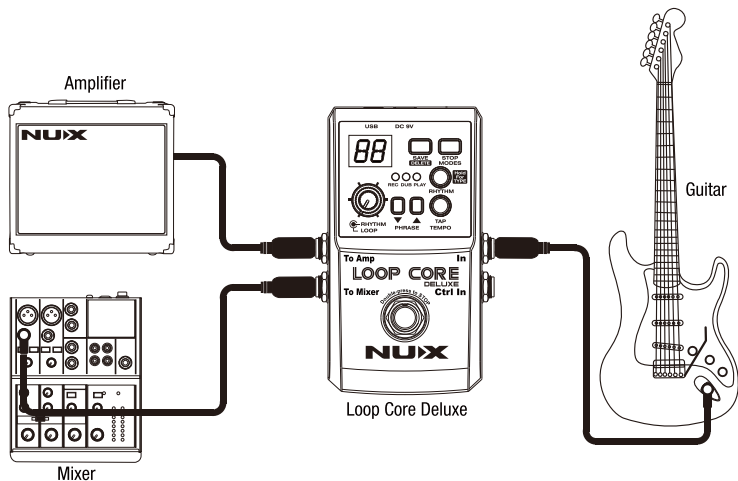
ONLY output to mixer, soundcard or full range speakers. Please turn on frequency compensation function to get a guitar sound with cab simulation tone.



## Connections

### Application 3( To Amp output guitar signal, To mixer output drum machine)

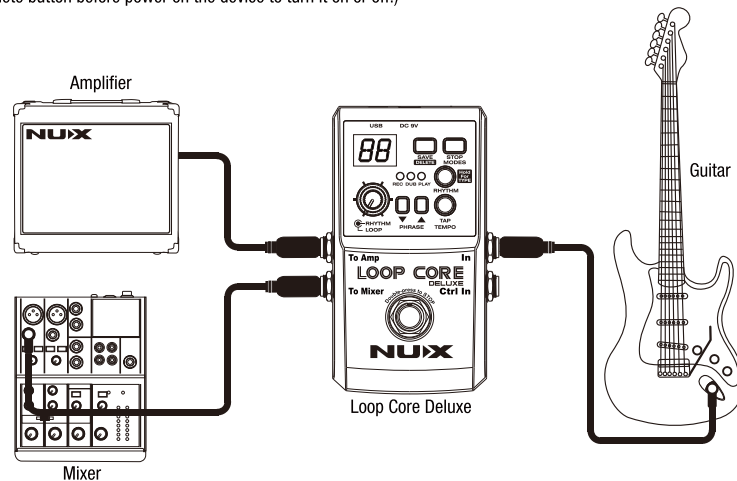
When using Loop Core Deluxe as the below situation, it will detect the type of devices connected.  
Original guitar tone and loop phase will output to guitar amplifier while drum machine sound output to mixer.



## Connections

### Application 4( Both jack output guitar sound and drum machine sound)

Use 2 outputs simultaneously, connect Loop Core Deluxe to mixer via the stereo channel. When both outputs are connected to mixer, stereo sound comes from Amp out and Mixer out. We'd suggest you turn on frequency compensation function to get a better sound.  
( Press Save/Delete button before power on the device to turn it on or off.)

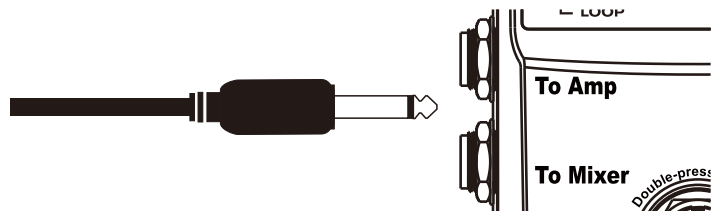


## Power ON/OFF

When running the unit on battery power, insert a plug into the OUT L jack will automatically switch the unit on. To prevent malfunction or damage to speakers or other devices, always turn down the volume, and turn off the power on all devices before any connections. Once the connections have been completed, turn on power to your various device in the order specified. By turning on device in the wrong order, you risk causing malfunction and/or damage to speakers and other devices.

when powering up: Turn on the power to your guitar amp last.

When powering down: Turn off the power to your guitar amp first.



## Operation Instructions

### 1. To Record and Create a Loop Phrase

#### 1.1 Normal Recording Mode(Default)

1.1.1 Select a empty memory location by pressing the Up and Down arrows. The display shows the current memory number. A dot at the down arrows. The display shows the current memory number. A dot at the down right corner of the display means the current memory number already has data saved. If there is no dot, it means the current memory number has no data, and you can start to create a new loop and save it in this memory location.

1.1.2 RECORD: Press the pedal to start to record a loop.

1.1.3 OVERDUB: After a loop was recorded, you can record overdubs on it. Each time you press the pedal, the sequence is: Rec-Play-Overdub .

**NOTE:** You can change this sequence to: Record-Overdub-Play by following this:

While holding down the pedal, turn on the power by inserting DC jack and plug a cable in OUT L jack. The display will show "r d" or "r P" you can select either one by pressing the arrow buttons, and press the pedal once again to confirm.

"r d" for Record-Overdub-Play.

"r P" for Record-Play-Overdub.

**NOTE:** To overdub on the current phrase. Loop Core Deluxe requires that the total remaining recording time must be longer than the time of current phrase. If the DUB LED light keeps blinking after you overdub, it means you cannot overdub under such status.

1.1.4 STOP: During playback or overdubbing, double-press the pedal ( Press the pedal twice within 1 sec ) to stop.

#### 1.2 Auto Recording Mode

You can temporary set the Loop Core Deluxe to Auto Recording mode by following below steps:

1.2.1 Under an empty memory slot, press and hold STOP MODE button for 2 sec, "R r" will be blinking on the display, press STOP MODE button again within 2 sec to change it to "R r" to enable Auto Recording mode.

1.2.2 Under this mode, the first time you press the pedal will enter recording standby status, and the REC LED will be blinking. It automatically starts recording as soon as it detects



# Operation Instructions

input sound signal from AUX In or Input jack.

1.2.3 Overdubbing and playback are the same as normal recording mode.

**NOTE:** Changing to Auto Recording mode only temporary functions for the current memory location. Switching to next memory number will go back to Normal Recording mode, which is the default mode for Loop Core Deluxe.

## 1.3 Undo/Redo/Clear

### UNDO

During overdubbing or playdack, you can hold down the pedal for 2 sec to undo (cance) the most recent overdubbing.

### REDO

During playback, press and hold the pedal for 2 sec can restore the overdubbing that you have just canceled.

\*Redo is only for restoring overdubbing. There will be a little dot displayed in the middle of the two digits to indicate that you have data that can be restored.

### CLEAR

You can clear all recording data in this memory by holding the pedal down for 2 sec while stopped. (Already saved data

I will not be cleared this way, which is defferent from DELETE (see 1.8).

## 1.4 Stop Modes

Loop Core Deluxe has three stop modes that you can choose to finish the playback.

1.4.1 Before start playing a loop or during playback, you can press STOP MODES buttons to select the way you want the loop to end after you double-press the pedal.

“**5 1**” : instantly stops.

“**FR**” : stop at the ending of this loop.

“**FR**” : fade out and stop in 10sec.

1.4.2 If you choose “” or “” ,after you double-press the pedal during playback, the PLAY LED will start blinking until it finally stops. If you still want the loop to end instantly during the time when the PLAY LED is blinking, just quickly press the pedal once again.

## 1.5 Switching Memory Numbers/Loops

You can press Up and Down buttons to switch memory numbers/loops, or using optional extensional pedal ( see3) .

# Operation Instructions

During playback, if you switch to another loop, the number of the chosen phrase will start blink, and when the current loop reaches its end, the chosen loop will start playing. The transition has NO GAP, so it is perfect for creating a complete backing track that has verse and chorus!

## 1.6 Save a Loop to Memory

Once you have created a music loop, you can save it to memory. You can save up to 99 memories. Each memory can be as long as you want until it reaches the memory limit. Loop core deluxe is equipped with 8GB memory, Maximum recording time is about 8 hours.

1.6.1 Short press SAVE button and you will see the memory number and “**SR**” will be blinking on the display in turn.

1.6.2 Press Up or Down to choose an empty memory location ( the down right corner of the display has no dot ), and press SAVE again to confirm the storage. Or, you can press any button other than SAVE and Up/Down to abandon saving.

1.6.3 All the data including recordings, stop mode, tempo and the selected rhythm pattern will be saved. But recording mode will not be saved. Auto Recording mode can only be temporary set ( see 1.2) .

**NOTE:** You cannot save to a memory location that already has data. During step 1.6.2, if you press Up or Down button and the next memory number already has data, it will lead you to the closest empty memory location.

## 1.7 Copy a Loop Phrase

You may want to copy a saved loop to another memory location by following below steps:

1.7.1 Choose the memory loop that you want to copy.

1.7.2 Short press SAVE/DELETE button and you will see the memory number on the display start blinking.

1.7.3 Press Up or Down to choose an empty memory location ( the down right corner of the display has no dot ), and press SAVE/DELETE again to confirm the storage.

**NOTE:** If the remaining memory is not enough for copying the chosen loop, the display will show “**FL**”.

## 1.8 Delete a Memory

1.8.1 Press and hold the SAVE/DELETE button for two second, you will see “**DL**” blinking on the display.

## Operation Instructions

1.8.2 Press SAVE/DELETE once again to confirm deleting. Or, you can press any button other than SAVE/DELETE to abandon deleting.

1.8.3 All the data including recordings, stop mode, tempo and the selected rhythm pattern will be deleted.

### 2. Rhythm tracks

Loop Core Deluxe has built-in rhythm tracks that with 40 patterns, ranging from metronome click to drum tracks that cover various music styles. You can use the rhythm to guide your recording, or even after you finishing recording, you can turn on the rhythm tracks, and it will smartly immediately find your beat and follow!

2.1 Press RHYTHM or double press TAP TEMPO button to turn on the rhythm. The default sound is metronome click. The rhythm button blinks to indicate the tempo. If you start the rhythm after the loop has been recorded, the loop Core will automatically detect the tempo of the loop.

2.2 TAP TEMPO button lights up to indicate that you can use this to set tempo. If this button does not light up, It means tap tempo is not possible insuch status, i.e. during recording or overdubbing.

2.3 Long press TAP TEMPO button to switch time signature in between 4/4 and 3/4 beat.

2.4 Press and hold RHYTHM button for 2 sec, and you will see the pattern number blinking on the display.

2.5 Use Up and Down button to set your desired tempo.

2.7 Rhythm types of Loop Core Deluxe:

4/4 Beat List	
01	Metronome 4/4
02	Rock 1
03	Rock 2
04	Rock 3
05	60S
06	Blues 1
07	Blues 2
08	Country 1
09	Cumbia
10	Reggae
11	Jam
12	Jazz 1
13	Native

## Operation Instructions

14	Indie Rock
15	Pop 1
16	Pop 2
17	Pop 3
18	Punk 1
19	Punk 2
20	Punk 3
21	Metal 1
22	Metal 2
23	Metal 3
24	R & B
25	Straight 1
26	Straight 2
27	Dance House
28	Dance House01
29	Latin 1
30	Latin 2

3/4 Beat List	
01	Metronome 3/4
02	Begin
03	Blues 3/4
04	Arena 3/4
05	Ballad 3/4
06	Cricle 3/4
07	Groove 3/4
08	Jazz 3/4
09	Motown 3/4
10	Rock 3/4

## Operation Instructions

---

### 3. Using Extensional Control Pedals

You can plug in an extensional control pedal to the Ctrl In Jack, i.e. NUX NMP-2 ( Optional ) to hand more hand-free controls during live performance:

3.1 Plug in the NMP-2 to Ctrl in jack on Loop Core Deluxe with the foot-switch of NMP-2 NOT pressed for at least 1 second, so that the Loop Core Deluxe can recognize the pedal.

3.2 Stop: Short press foot switch a of NMP-2 once to stop during recording, overdubbing and playback. Same as double-press the pedal of Loop Core Deluxe.

3.3 Tap Tempo: Press NMP-2 ( Switch A ) several times in time to set the tempo while stops.

3.4 Clear Loop: Press and hold the NMP-2 ( Switch A ) will clear all the recordings that have not saved.

3.5 You can also plug in the NMP-2 through its jack B & A to Ctrl in, footswitch B/A can be used to switch recording phases ( Up and Down ) .

### 4. USB Connection

Turn on the power of Loop Core Deluxe by connecting the power adapter and plug a cable to “ To Amp ” or “ To Mixer ”, Connect a USB cable between Loop Core Deluxe and your PC. The display of Loop Core Deluxe will show “” when it is connected successfully. Now you can import WAV files to Loop Core Deluxe or backup the recording phrases from Loop Core to your PC:

4.1 To import a WAV file to Loop Core Deluxe.

4.1.1 Click and open the removable disk of Loop Core Deluxe, and open the “LOOPER24” folder.

4.1.2 Open the WAV folder, and there will be 99 folders for 99 memory numbers: “ W001 ” “ W002 ”...“ W099 ”. Choose one empty folder that you want to import a WAV file to. For example: folder “ W031 ”.

4.1.3 Copy the WAV file from your computer to the folder “W031” , and rename this WAV file to “ W031.wav ”.

4.1.4 This WAV file is imported successfully and can be played as a loop in memory number 31 in Loop Core.

**NOTE:** Loop Core Deluxe accept WAV file that is 24-bit, Stereo 44.1kHz.

## Operation Instructions

---

4.2 To back up and recover phrases from Loop Core Deluxe to your PC.

4.2.1 Copy the “ LOOPER24 ” folder to your PC to back up.

4.2.2 Copy the “ LOOPER24 ” folder from your PC to replace the “ LOOPER24 ” folder in Loop Core Deluxe to recover.

**WARNING:** Do NOT power off or unplug the device when it's transferring data.

### 5. Formatting Loop Core Deluxe

In case you want to reset the Loop Core Deluxe back to factory setting, you can format the Loop Core Deluxe by the following steps:

5.1 Power on the Loop Core Deluxe while pressing down the foot switch until the display show “r d” or “r P”.

5.2 Press and hold Up or Down button for 2 sec until the display shows “F 0”.

5.3 Press the pedal once again to confirm formatting. Or, Press any other buttons to abandon formatting.

**WARNING**

1. Formatting the NUX Loop Core Deluxe will wipe away all recordings from it and set everything to factory settings. Please backup all your data before you format the device.

2. Please do now power off your device until the formatting process is completed.

## Specification

---

- Sampling rate: 44.1kHz
- A/D converter: 24bit
- Signal Processing: 24bit
- Frequency response: 20Hz-20kHz
- Noise Level: -98dBu
- Dynamic Range: 101db
- Power Consumption: 65mA-70mA
- Input: Mono
- Output: To Amplifier, To Mixer
- Display: LED & LED segment displays
- Power: 6LR61 battery (9V) or 9V negative tip power adapter
- Dimensions: 122mm(L) x 72mm(W) x 47mm(H)
- Weight: 270g

\* Specifications are subject to change without prior notice.

Accessories: Cables, 9V Battery, User Manual , Warranty card.

©2017 Cherub Technology-All rights reserved. No part of this publication may be reproduced in any form without prior written permission of Cherub Technology.



[www.nuxefx.com](http://www.nuxefx.com)

Made in China

**请注意！重要安全说明。**  
**在连接使用前，阅读以下说明。**

**警告：**为减少火灾或触电的危险，请勿将本产品置于雨中或潮湿的地方。

**注意：**为避免火灾或触电等危险，请勿擅自拆卸本产品。维修本产品内部部件对于非专业人员来说较为困难，若有损坏请交给专业维修人员处理。

**注意：**本产品已经过测试，证明符合FCC规则第15部分的B级数字设备的限制规定。操作应符合以下两个条件：（1）本产品不会产生有害干扰。（2）本产品必须接受任何干扰，包括可能会导致非正常操作的干扰。

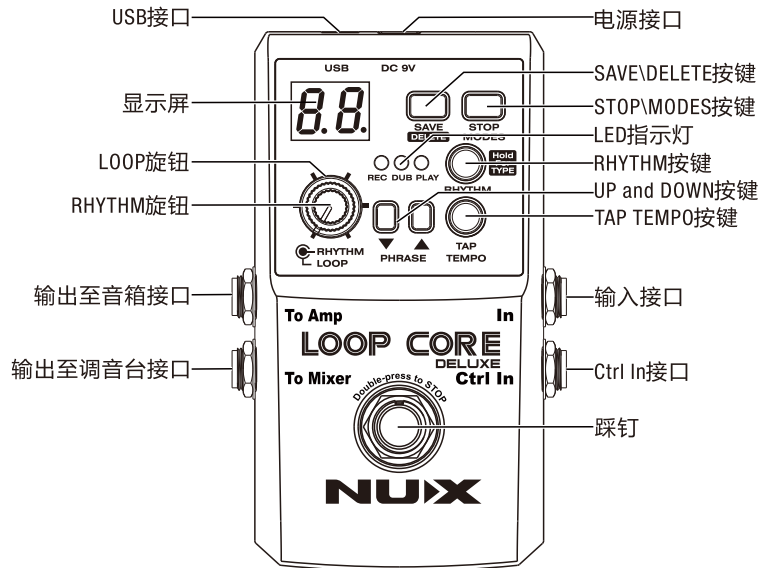
1. 建议使用NUX ACD-006A电源适配器（需另购），如需搭配其它品牌电源，请务必按照产品标识的规格搭配电源适配器。如果您不确定可用的电源类型，请咨询您的经销商。
2. 请勿放置在热源附近，如散热器、电热器，或其它产生高热量的设备。
3. 请勿让液体、灰尘及其它物体进入本产品。
4. 请勿尝试自行维修本产品。如需维修，请联系我司售后热线或交给专业的维修人员。
5. 当本产品遭遇电源线或插头损坏、不明物体进入、进水等情况时，请谨慎使用并主动联系售后维修。
6. 如果长时间不使用本产品，应拔掉电源线。
7. 避免踩踏电源线，避免过度绷紧电源线。
8. 人耳长时间接收高音音量声音可能会导致无法挽回的听力损害，请始终保持“安全聆听”。

**请遵守所有的指示和注意所有警告并保留这些说明！**

感谢您选择NUX Loop Core Deluxe循环效果器。拥有了Loop Core Deluxe，您可以创作、录制自己的循环乐句。Loop Core Deluxe考虑周到的各种细节和功能，将大大增加您的效率，为您的创作和演出带来无限灵感。

请仔细阅读这份说明书，建议您保留它以备查阅。

- 无限层的录音以及叠加录音，满足您的需求
- 长达8小时的录音时长
- 99个用户存储位置
- 内置多达40种鼓节奏型，带TAP Tempo功能
- 针对1 x 12吉他音箱进行鼓机频率补偿响应
- 录音棚级鼓机音色
- 吉他箱体模拟功能
- Buffer功能补偿吉他信号衰减问题
- 在不改变音调的情况下，改变您所录制乐句的回放节奏
- 无间隙切换乐句，轻松制作完整的伴奏
- 可外接踏板实现更多操作
- 可通过个人电脑导出、导入乐句
- True-Bypass真直通
- 带鼓机的24bit循环乐句效果器



**显示屏**

指示存储位置、节奏型编号及其它设置信息。

**LOOP旋钮**

调节所录音频的回放音量。

**RHYTHM旋钮**

调节内置鼓节奏型的音量。

**SAVE\DELETE按键**

保存当前乐句或删除当前记录。(按住此按键再开启电源可开关1 x 12吉他音箱箱体模拟及鼓机频率响应补偿, 显示 *Fr On/ Fr Off*, 在连接图1, 2, 4时预设开启。)

**STOP\MODES按键**

选择您踩下踏板后停止乐句的方式 (详见1.2自动录音模式) (按住此按键再开启电源, 开关Input

buffer补偿信号衰减) -显示 *b f/t r*。

**RHYTHM按键**

打开/关闭节奏或选择鼓节奏型 (按住此按键再开启电源可选择使用场景F3/F4) -显示 *F3/F4* 在连接图3, 4时预设开启。

**LED灯**

REC: 红色灯亮表示您正在录音。

DUB: 橙色灯亮表示您正在叠加录音。

PLAY: 绿色灯亮表示您正在回放当前乐句。

在叠加录音期间, DUB指示灯和PLAY指示灯都会亮起。

**TAP TEMPO按键**

按TAP键数次来设定节奏的速度。可用于改变已存储乐句的回放速度。

## 产品界面

### UP and DOWN按键

用于选择乐句、节奏型和其它设置信息。

### 踩钉

用于控制录音、叠加录音、回放，您也可以用它这个踏板去停止、撤销、重做以及清除录音。

### USB接口

用迷你USB线链接Loop Core Deluxe和您的电脑，可输入或备份音频数据。（详见关于USB连接部分）

### 电源接口

Loop Core Deluxe使用9V 300mA外正内负直流电源。请使用与此规格完全相同的供电设备。（例如：可选配NUX ACD-006A适配器）

### 输入接口

单声道输入接口，直接将您的吉他或乐器连接到这个接口。

### Ctrl In接口

外接踏板接口，用于乐句上翻、下翻。（详见下面外接踏板部分）

### To Amp输出至音箱接口

输出信号至您的吉他音箱。

To Amp是吉他音箱单声道输出接口，如果您仅输出至吉他音箱，请选用To Amp（可透过选择频率响应补偿决定输出至音箱的鼓机是否做频率补偿）详情参考连接图。

### To Mixer输出至调音台接口

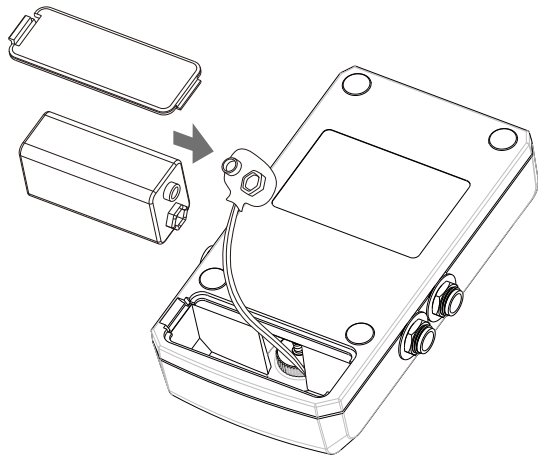
输出信号至调音台。To Mixer预设场景是将电吉他信号选择开启频率补偿带有箱模输出至调音台。（若输入并非电吉他，则可以选择关掉频率补偿）详情参考连接图。

## 关于电池

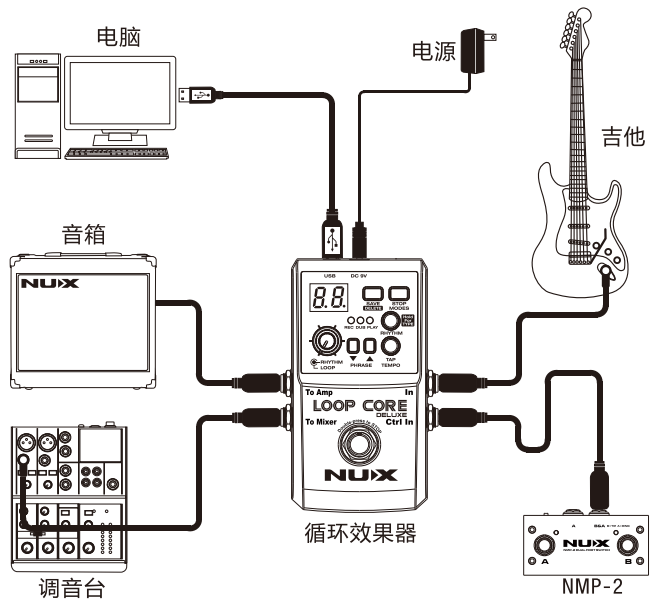
本机随包装赠送一颗9V电池，用于测试。当效果器电源指示灯变暗，甚至声音不正常时，请更换新的电池。为了避免不必要的电池消耗，在不使用效果器时，请把音频线从输出接口中拔出。强烈推荐使用选配的电源适配器ACD-006A或者高质量的效果器专用电源。

**注意：**当使用电池供电时，LED闪烁显示“Lo”时，表示电池电量不足，请及时更换电池。

电池（电池包或组合电池）不得暴露在诸如光照、火烤或过热环境中。



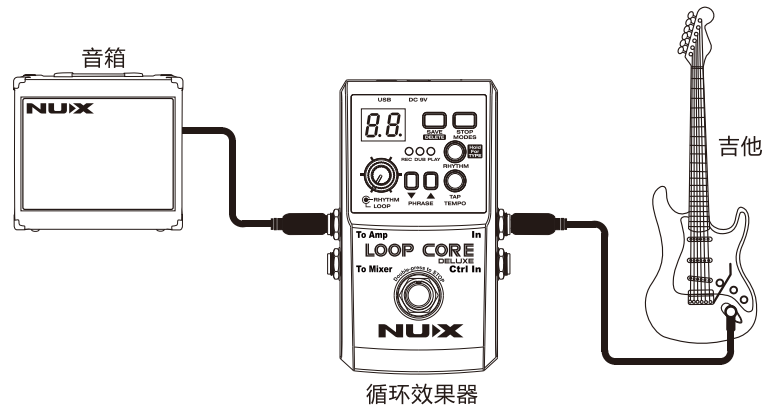




Loop Core Deluxe提供了4种可能的演出场合连接方式：

场景一

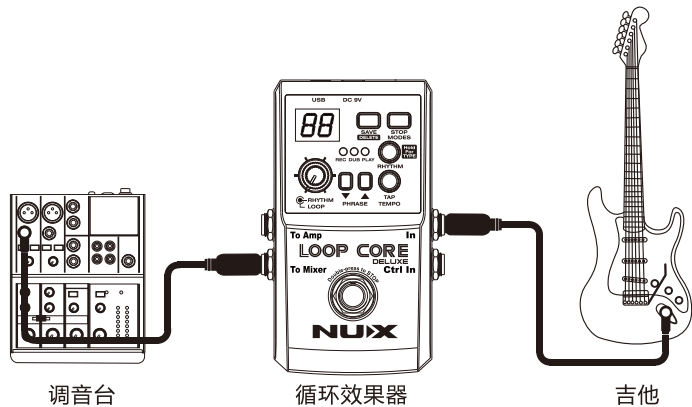
只使用To Amp接口连接至吉他音箱，这是吉他手最常见的连接方式。吉他原声、循环乐句、鼓机会输出至吉他音箱，如果是连接至1 x 12吉他音箱，则建议打开频率响应补偿功能。（按住SAVE/DELETE按键再开启电源可开关鼓机频率响应补偿。）



## 连接图

### 场景二

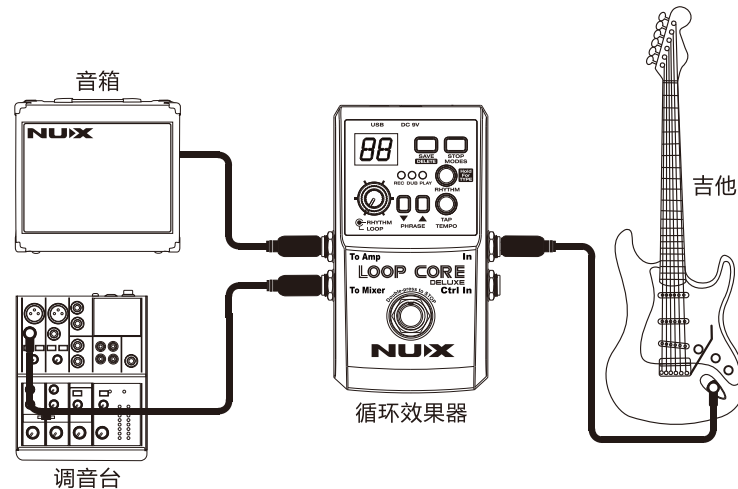
只使用To Mixer接口连接至调音台、声卡、全音域喇叭等设备。在没有吉他音箱使用的情况下，单输出Mixer Out至调音台，此时若输入信号为电吉他，建议开启频率补偿，吉他原声则带有箱体模拟音色，同时输出循环乐句及鼓机。



## 连接图

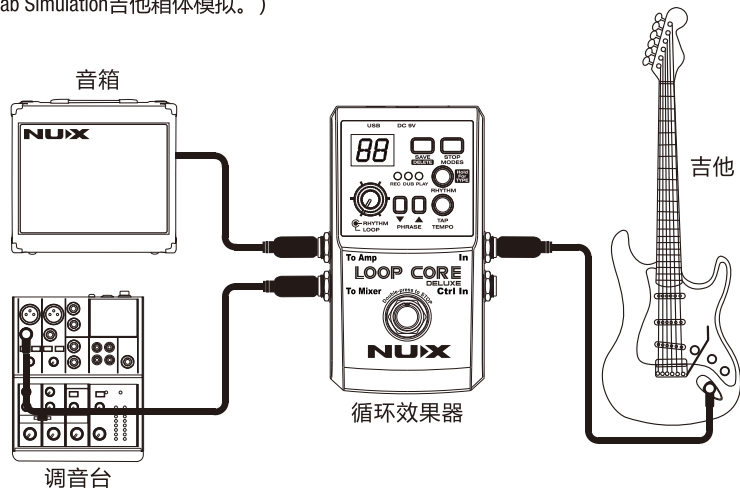
### 场景三 (To Amp输出吉他信号, To Mixer输出鼓机)

同时使用两个输出，分别连接至吉他音箱和调音台。当参照图示连接设备时，Loop Core Deluxe会自动判别连接设备，此时吉他原声及循环乐句自To Amp输出至吉他音箱，鼓机则自To Mixer单独输出至连接设备。



场景四（两个输出都带有吉他跟鼓机）

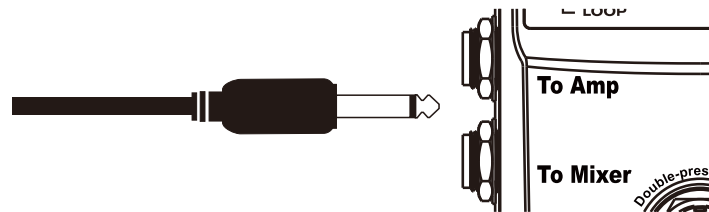
同时使用两个输出，接至调音台使用双声道。当双输出同时接至调音台时，则立体声自To Amp及To Mixer接口输出，此时建议打开频率响应补偿功能，以得到适当的吉他音色。（按住SAVE/DELETE按键再开启电源可开关Cab Simulation吉他箱体模拟。）



连接插头插入To Amp/To Mixer接口将会自动打开Loop Core Deluxe。为了防止引起故障或伤害音箱或其它设备，请在做任何连接前调低音量，关闭所有设备电源。一旦连接完成，请按照顺序打开各设备的电源。如果按错误的顺序打开设备的电源，可能会造成设备故障或者伤害音箱或其它设备。

开机时：最后打开吉他音箱。

关机时：最先关闭吉他音箱。



连接插头插入To Amp/To Mixer接口自动开机

1. 创作、录制一个循环乐句。

1.1 普通录音模式（默认）。

1.1.1 通过UP/DOWN按键选择一个空的储存位置，显示屏会出现当前的存储编号。如果显示屏右下角有一个点，则表示当前存储编号已有录音。如果没有这个点，说明当前存储编号是空白的，您可以开始制作一段新的循环乐句并存储到这个位置。

1.1.2 录音：按下踩钉开始录音。

1.1.3 叠加录音：在一段循环乐句录好后，您可以继续在上面叠加录音。每次您按下踩钉的顺序是：录音—播放—叠加录音。

**注意：**您可以按照下面的方法改变录音顺序为：录音—叠加录音—回放。当按住踩钉不放，打开设备电源时（连接适配器或将连接线插头插入To Amp/To Mixer接口），显示屏会出现“rd”或“rP”，您可以用UP/DOWN按键切换，然后再次按下踩钉确认。

“rd”：录音—叠加录音—播放。

“rP”：录音—播放—叠加录音。

1.1.4 停止：回放或者叠加录音时，快速双踩踩钉（一秒钟内）可以停止。

1.2 自动录音模式。

您可以根据以下的方法，临时设置Loop Core Deluxe为自动录音模式：

1.2.1 选一个空的存储位置，按住STOP MODE键2秒钟，显示屏上将会显示“rr”并闪烁，再次按STOP MODE键直至屏幕显示变成“Rr”，此时已切换到自动录音模式。

1.2.2 在此模式下，第一次按下踩钉将会进入准备录音状态，这时录音指示灯会闪烁。当机器探测到有音频信号从Input接口输入时，会自动开始录音。

1.2.3 叠加录音和回放的操作和普通模式一样。

**注意：**转换至自动录音模式仅是临时的设置。当退出或切换到下一个存储编号后，会自动回到默认的普通录音模式。

1.3 撤销/重做/清除

撤销：在叠加录音或回放时，可按住踩钉2秒来撤销最近的一次叠加录音。

重做：在回放时，可按住踩钉2秒来恢复您刚刚撤销的叠加录音。

**注意：**重做仅可以恢复最近一次撤销的叠加录音，如果您撤销的是没有保存的首次录音，则不可以恢复。如果您有内容可供恢复，显示屏的两个数字间将会有个小点。

清除：当停止时，您可以按住踩钉2秒来临时清除存储的所有数据（已经被存过的数据不会被清除，这与删除功能不同，详见1.8）。

### 1.4 停止模式

Loop Core Deluxe提供3种停止回放的模式来满足您现场演出的需求。

1.4.1 在开始播放一段乐句之前和播放当中，您可以按STOP MODES按键来选择您希望在双踩踏板后的停止方式：

“5t”：立即停止。

“FN”：播完本次循环后结束。

“FR”：淡出并在10秒后停止。

1.4.2 如果您选择“FN”或者“FR”在回放中双踩踩钉后，绿色LED灯会开始闪烁，表示进入准备停止状态，直至播放结束。当绿色LED灯闪烁时，如果您仍希望立刻停止这个循环乐句，只需要立刻再踩一下踩钉。

### 1.5 切换存储编号\循环乐句

您可以按UP/DOWN按键来切换存储编号\循环乐句，或者用外接踏板来控制（详见3使用外接踏板），在回放时，如果您切换至另一个循环乐句，被选到的乐句编号会开始闪烁，当前播放的乐句结束时，会自动开始播放到被选中的乐句。乐句之间切换是无间隔的，可以制作完整的背景乐声轨！

### 1.6 存储一段乐句

当您创作出一段循环乐句后，您可以将它保存起来。您有多达99个存储位置。每个存储乐句都可达您想要的长度，直到内存被填满。Loop Core Deluxe的内存是8GB。最大总录音时间是8小时，单一乐句最长3小时。

1.6.1 短按SAVE按键，您会看到存储编号和“5R”依次在屏幕上闪烁。

1.6.2 按UP/DOWN按键来选择空的存储位置（屏幕右下角没有圆点），然后再次按下SAVE按键来确认保存，或者您可以按除了SAVE和UP/DOWN按键之外的其它任意按键来放弃保存。

1.6.3 所有数据包括录音、停止方式、速度和所选的节奏型都可以被保存。但是录音模式不能被保存。自动录音模式只能是临时设置（见1.2）。

**注意：**您不能保存至已有数据的存储位置中。在步骤1.6.1，如果您按UP/DOWN按键，而接下来的存储槽已有数据，它会自动指引您到最接近的一个空的存储位置。

### 1.7 复制一个循环乐句。

您可以根据以下步骤复制一段已保存的循环乐句至另一个存储槽：

1.7.1 选择您想要复制的乐句的存储编号。

1.7.2 短按SAVE/DELETE按键，您将会看到当前存储编号在显示屏上闪烁。

1.7.3 按UP/DOWN按键，选择一个空的存储位置（显示屏右下角没有点），然后再次按SAVE/DELETE按键确认存储。

1.8 删除一个已存储的乐句片段。

1.8.1 按住SAVE/DELETE按键两秒，您会看到显示屏上闪烁“DL”字样。

1.8.2 再次按SAVE/DELETE按键确认删除，或者按其它任意一个按键放弃删除。

1.8.3 所有数据包括录音、停止模式、节奏和所选节奏型都可以被删除。

**注意：**当Loop Core Deluxe正在执行以下操作时，请勿断电，否则会造成数据损坏。

进行录音，播放，叠加录音，存储录音，复制录音，删除录音等操作时。当LED闪烁显示“FL”时，表示数据存储空间不足。当叠加录音时，DUB指示灯闪烁，则表示存储空间不足，不能进行叠加录音操作。

2. 节奏部分

Loop Core Deluxe有40个内置节奏型可供选择，从节拍器到鼓曲涵盖了很多音乐风格。您可以利用这些节奏型引导录音，您甚至可以在结束录音后打开这些节奏型，它会自动找到您的拍子。

2.1 按RHYTHM按键或者连按两次TAP TEMPO按键打开节奏，默认类型是节拍器。RHYTHM按键闪烁指示速度。如果您在乐句录制好后打开节奏型，Loop Core Deluxe会自动探测到您的乐句的速度。

2.2 TAP TEMPO按键指示灯亮起您可以设置速度，如果按键没有亮灯，表示当前不能进行TAP速度设置，比如在录音或者叠层录音的时候。

2.3 长按TAP TEMPO按键来转换4/4拍（30种节奏型）或3/4拍（10种节奏型），显示4b/3b。

2.4 按住RHYTHM按键两秒，您会看到节奏型编号在显示屏上闪烁。

2.5 用UP/DOWN按键来选择您想要的节奏型。

2.6 用TAP TEMPO按键来设置您想要的速度。

2.7 Loop Core Deluxe的鼓机节奏列表：

4/4 Beat 列表	
01	Metronome 4/4
02	Rock 1
03	Rock 2
04	Rock 3
05	60s
06	Blues 1
07	Blues 2
08	Country 1
09	Cumbia
10	Reggae
11	Jam
12	Jazz 1
13	Native
14	Indie Rock
15	Pop 1
16	Pop 2
17	Pop 3
18	Punk 1
19	Punk 2
20	Punk 3

21	Metal 1
22	Metal 2
23	Metal 3
24	R & B
25	Straight 1
26	Straight 2
27	Dance House
28	Dance House 01
29	Latin 1
30	Latin 2
3/4 Beat 列表	
01	Metronome 3/4
02	Begin
03	Blues 3/4
04	Arena 3/4
05	Ballad 3/4
06	Cricle 3/4
07	Groove 3/4
08	Jazz 3/4
09	Motown 3/4
10	Rock 3/4

### 3. 使用外接踏板

您可通过Ctrl接口接入外接踏板，如NUX NMP-2踏板（选配），让您在演出中解放双手。

3.1 将NMP-2的A接口接入Ctrl接口，至少一秒内不要按踏板，让Loop Core Deluxe能识别这块踏板。（插拔踏板过程中，LED显示“P[”字样。）

3.2 停止：在录音或回放时，短按NMP-2踩钉A一次，可马上停止，这和双踩Loop Core Deluxe踏板的功能一样。

3.3 TAP设定拍子速度：在停止的时候，按拍子踩踏踩钉数次可设定拍子速度。

3.4 清除：长按踩钉将会清除所有未保存的录音。

3.5 您也可以使用NMP-2的B&A（Stereo）接至Ctrl接口，此时B/A踩钉则让您可以在演奏中上/下切换乐句。

### 4. USB连接

将音频线插入Loop Core Deluxe的To Amp或To Mix接口，打开Loop Core Deluxe电源。用USB数据线连接Loop Core Deluxe和您的电脑。当连接成功时显示屏将会出现“UL”，此时您可以将WAV文件存入Loop Core Deluxe，或者备份已录制好的乐句至您的电脑。

#### 4.1 将WAV文件存入Loop Core Deluxe。

4.1.1 打开名为NUX LOOPER的可移除硬盘，打开“LOOPER24”文件夹。

4.1.2 打开WAV文件夹，将看到99个文件夹对应99个存储编号：“W001”，“W002”...“W099”。选择一个您想要放置WAV文件的空文件夹，比如文件夹“W031”。

4.1.3 从您的电脑复制WAV文件至文件夹“W031”，并重命名这个WAV文件为“W031.WAV”。

4.1.4 WAV文件成功存入，可作为Loop Core Deluxe内存编号为31的文件用于循环乐句播放。

**注意：**Loop Core Deluxe接受的WAV文件格式为24 bit/44.1kHz，双声道。

4.2 从Loop Core Deluxe备份乐句至您的电脑以及恢复备份。

4.2.1 复制“LOOPER24”文件夹至您的电脑备份数据。

**注意：**USB数据传输过程中请勿断电或断开USB数据线。

### 5. 格式化Loop Core Deluxe。

当您想要将Loop Core Deluxe恢复至出厂设置时，您可以按照以下的步骤格式化Loop Core Deluxe。

5.1 按下并保持Loop Core Deluxe踩钉，同时开启Loop Core Deluxe电源，直至显示屏出现“r d”或者“r P”。

5.2 长按UP /DOWN按键2秒钟，直至显示屏出现“F 0”。

5.3 再次按下踩钉，确认执行格式化或者按其它任意按键放弃格式化。

**注意：**格式化过程中，LED将显示“5 L”字样，格式化过程中请勿断电。

**警告：**格式化Loop Core Deluxe将会删除所有录音数据以及参数设置，回到出厂设置。请在格式化前确认您已经备份了所有数据。



## 技术规格

- 采样频率: 44.1kHz
- A/D转换精度: 24bit
- 信号处理精度: 24bit
- 频率响应范围: 20Hz-20kHz
- 噪声水平: -98dbu
- 动态范围: 101db
- 电流消耗: 65mA-70mA
- 输入: 单声道
- 输出: 左声道、右声道
- 显示: LED数码管
- 电源: 9V电池或DC 9V电源适配器 (内负外正)
- 尺寸: 122mm(长) x 72mm(宽) x 47mm(高)
- 重量: 270克

本产品不带电源适配器销售, 产品输入参数:  
9V DC 0.5A。

**注意:** 请配套使用已获CCC认证且符合相关标准的电源适配器。

本产品具有音频录制、处理、播放功能和存储功能。

\*技术规格如有变更, 恕不另行通知。

随机附件: 连接线、使用说明书、保修卡。

## 有关产品中所含有害物质的说明

为了控制和减少电器电子产品废弃后对环境造成的污染, 本资料就本公司产品中所含的特定有害物质及其安全性予以说明。  
本资料适用于2016年7月1号以后本公司所制造的产品。

### 环保使用期限



此标志适用于在中国国内销售的电子信息产品, 表示环保使用期限的年数。所谓环保使用期限是指在制造日起的规定期限内, 产品中所含的有害物质不致引起环境污染, 不会对人体、财产造成严重的不良影响。环保使用期限仅在遵照产品使用说明, 正确使用产品的条件下才有效。不当的使用, 将会导致有害物质泄漏的危险。

### 产品中有害物质的名称及含量

部件名称		有害物质					
		铅 (Pb)	汞 (Hg)	镉 (Cd)	六价铬 (Cr(VI))	多溴联苯 (PBB)	多溴二苯醚 (PBDE)
主体	塑胶件	○	○	○	○	○	○
	五金件	×	○	○	○	○	○
	硅胶件	○	○	○	○	○	○
	内置电路板	×	○	○	○	○	○
附件	*交流电源适配器、线缆	×	○	○	○	○	○

\*表示某些产品可能不含有这些项目, 上表当中的信息仅在产品含有这些项目时适用。

本表格依据SJ/T 11364的规定编制。

○: 表示该有害物质在该部件所有均质材料中的含量均在GB/T 26572规定的限量要求以下。

×: 表示该有害物质至少在该部件的某一均质材料中的含量超出GB/T 26572规定的限量要求, 因根据现有的技术水平, 还没有什么物质能够代替它。

### 保护环境

如果需要废弃本产品, 请遵循本地相关指引, 请勿随意丢弃或作为生活垃圾处理, 以避免对环境造成污染。

## 质量承诺

亲爱的 **NUX** 用户：

在您使用 **NUX** 产品时，请仔细阅读产品说明书，当您有疑问和困难时，请拨打售后服务热线：400-990-9866

- 一周内出现质量问题可退货退款
- 一月内出现质量问题可调换
- 一年内出现质量问题可免费维修
- 终身享有咨询和维修服务

[ 请向销售商索取正规发票并予以保存 ]

## 换修政策

### 一、包换政策：

- 1、消费者通过正规授权渠道购买的产品，自购机之日起1个月之内，在正常使用情况下出现非人为的产品性能故障、且产品外观及包装保持完好，可向所购机的经销商换机。
- 2、消费者在换机时应出示由经销商开出的购机凭证，否则经销商可以不予更换。

### 二、保修政策：

- 1、消费者通过正规授权渠道购买的产品(以发票所示销售方为准)，自购买之日起1年内，若出现非人为损坏的性能故障，可享受免费维修服务。
- 2、对于超过1年或人为及不可抗力因素造成损坏的产品，我司可提供有偿维修服务。

\*本售后政策仅适用于中国大陆地区，其它国家及地区以当地售后政策及法律法规为准。

### 售后服务地址

广东省珠海市高新区唐家湾镇科技九路10号  
珠海市蔚科科技开发有限公司 售后服务部  
邮编：519085

### 制造商

深圳市蔚科电子科技有限公司

### 制造商地址

深圳市南山区蛇口兴华路6号南海意库1号楼507  
电话：0755-2686 9866 网址：www.nuxefx.com

### 生产商

珠海市蔚科科技开发有限公司

### 生产商地址

珠海市高新区唐家湾镇科技九路10号  
电话：0756-3689 866  
执行标准：Q/WKDZ 001-2020

## 合格证

Certificate

检验员  
Inspector

名称  
Name 循环效果器

型号  
Type Loop Core Deluxe

生产日期  
Date

本产品经检验合格  
This product is inspected and approved.

执行标准: Q/WKDZ 001-2020  
Product is certificated with Q/WKDZ 001-2020



中国制造