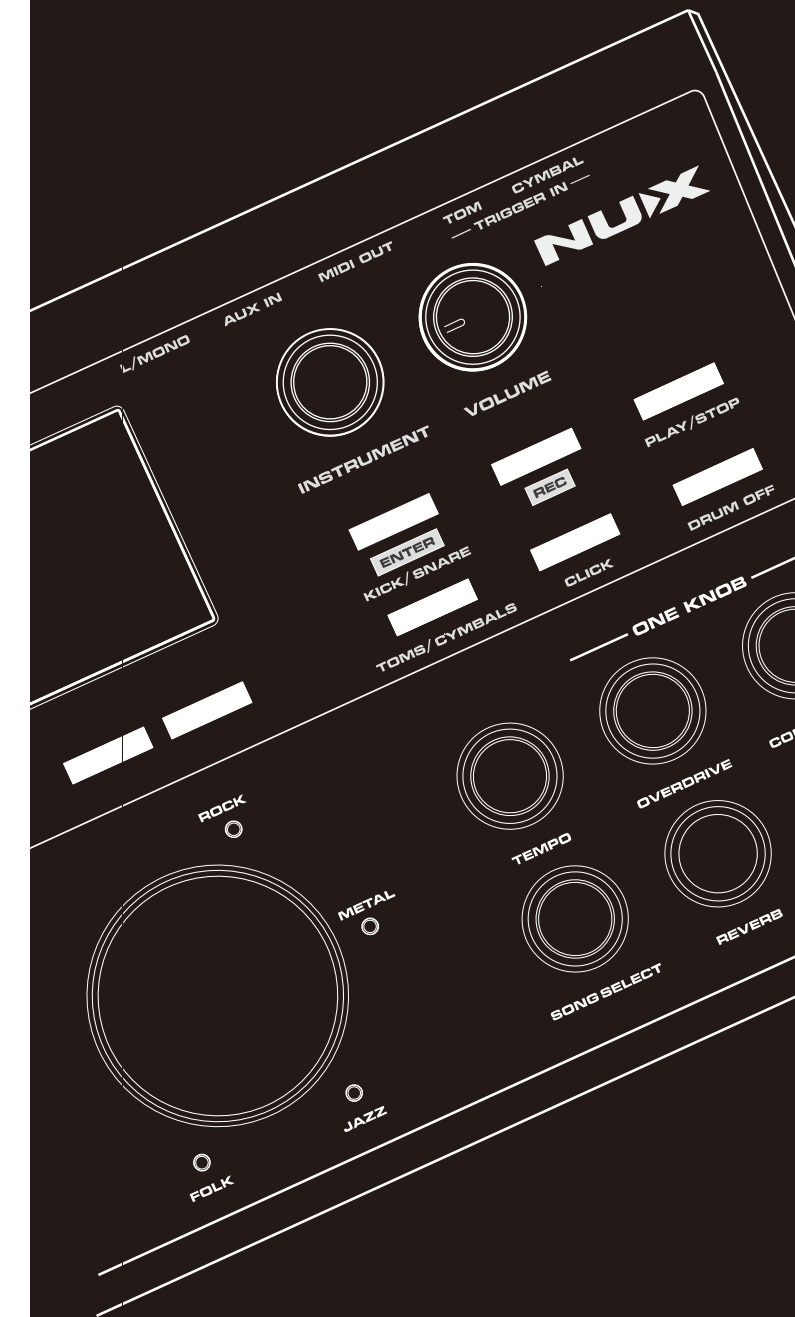


**NUX**  
NUX Drum System

**DM-7/DM-7X**  
**Digital Drum Kit**  
**电子鼓**



© Cherub Technology Co., Ltd.

All Rights Reserved. No part of this publication may be reproduced, stored in a retrieval system, or transmitted, in any form or by any means, electronic, mechanical, photocopying, recording, or otherwise, without the prior written permission of Cherub Technology Co., Ltd.

**User Manual**  
**使用说明书**



Version 1.0

# USING THE UNIT SAFELY

## INSTRUCTIONS FOR THE PREVENTION OF FIRE, ELECTRIC SHOCK, OR INJURY TO PERSONS

### About WARNING and CAUTION Notices

### About the Symbol

 <b>WARNING</b>	Used for instructions intended to alert the user to the risk of death or severe injury should the unit be used improperly.	 <b>CAUTION</b>	Used for instructions intended to alert the user to the risk of injury or material damage should the unit be used improperly. * Material damage refers to damage or other adverse effects caused with respect to the home and all its furnishings, as well to domestic animals or pets.
--	--	--	--

## ALWAYS OBSERVE THE FOLLOWING

### WARNING

- Before using this unit, make sure to read the instructions below and the Owner's Manual.
- Do not open (or modify in any way) the unit or its AC adaptor.
- Do not attempt to repair the unit, or replace parts within it (except when this manual provides specific instructions directing you to do so). Refer all servicing to your retailer, the nearest NUX Service Center.
- Never use or store the unit in places that are:
  - Subject to temperature extremes (e.g., direct sunlight in an enclosed vehicle, near a heating duct, on top of heat-generating equipment); or are
  - Damp (e.g., baths, washrooms, on wet floors); or Are
  - Humid; or Are
  - Exposed to rain; or Are
  - Dusty; or Are
  - Subject to high levels of vibration.
- This unit may be installed on a stand using a Clamp.
- When installing the unit on a stand with a clamp, the stand must not be placed in an unstable location or on an incline, but in a level and stable position. Even if a stand is not used, make sure that the unit is placed in a stable location.

### WARNING

- Be sure to use only the AC adaptor supplied with the unit. Also, make sure the line voltage at the installation matches the input voltage specified on the AC adaptor's body. Other AC adaptors may use a different polarity, or be designed for a different voltage, so their use could result in damage, malfunction, or electric shock.
- Do not excessively twist or bend the power cord, nor place heavy objects on it. Doing so can damage the cord, producing severed elements and short circuits. Damaged cords are fire and shock Hazards!
- This unit, either alone or in combination with an amplifier and headphones or speakers, may be capable of producing sound levels that could cause permanent hearing loss. Do not operate for a long period of time at a high volume level, or at a level that is uncomfortable. If you experience any hearing loss or ringing in the ears, you should immediately stop using the unit, and consult an Audiologist.
- Do not allow any objects (e.g., flammable material, coins, pins); or liquids of any kind (water, soft drinks, etc.) to penetrate the unit.

### WARNING

- Immediately turn the power off, remove the AC adaptor from the outlet, and request servicing by your retailer, the nearest NUX Service Center.
- The AC adaptor or the power-supply cord has been damaged; or
- If smoke or an unusual odor occurs
- Objects have fallen into, or liquid has been spilled onto the unit; or
- The unit has been exposed to rain (or otherwise has become wet); or
- The unit does not appear to operate normally or exhibits a marked change in performance.
- In households with small children, an adult should provide supervision until the child is capable of following all the rules essential for the safe operation of the unit.
- Protect the unit from strong impact. (Do not drop it!)
- Do not force the unit's power-supply cord to share an outlet with an unreasonable number of other devices. Be especially careful when using extension cords—the total power used by all devices you have connected to the extension cord's outlet must never exceed the power rating (watts/amperes) for the extension cord. Excessive loads can cause the insulation on the cord to heat up and eventually melt through.
- Before using the unit in a foreign country, consult with your retailer, the nearest NUX Service Center.

### CAUTION

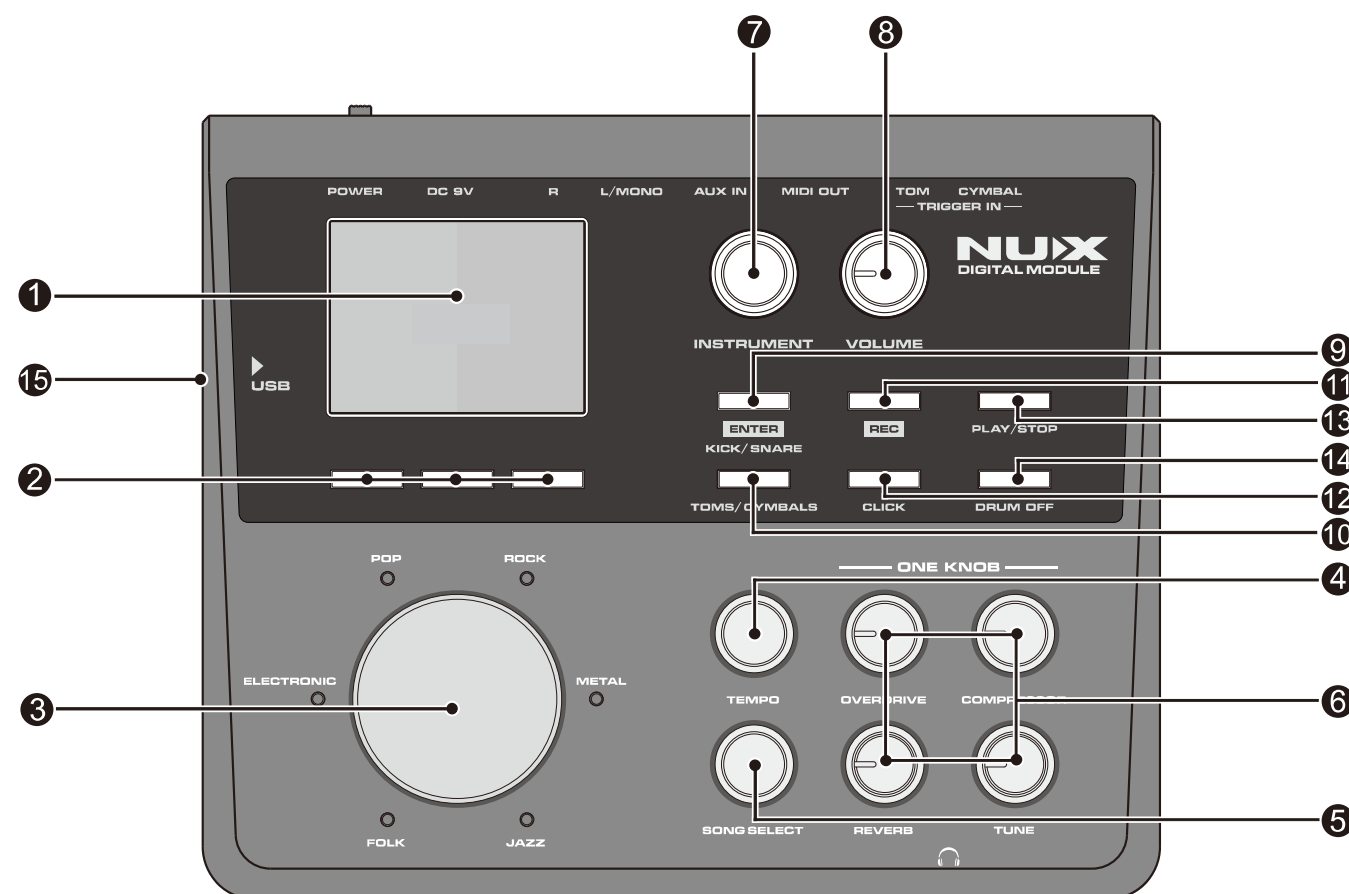
- The unit and the AC adaptor should be located so their location or position does not interfere with their proper ventilation.
- Always grasp only the output plug or the body of the AC adaptor when plugging into, or unplugging from, this unit or an outlet.
- Any accumulation of dust between the AC adaptor and the power outlet can result in poor insulation and lead to fire. Periodically wipe away such dust with a dry cloth. Also, disconnect the power plug from the power outlet whenever the unit is to remain unused for an extended period of time.
- Try to prevent cords and cables from becoming entangled. Also, all cords and cables should be placed so they are out of the reach of children.
- Never climb on top of, nor place heavy objects on the unit.
- Never handle the AC adaptor body, or its output plugs, with wet hands when plugging into, or unplugging from, an outlet or this unit.
- If you need to move the instrument, take note of the precautions listed below. Make sure to have a firm grip, to protect yourself from injury and the instrument from damage.
  - Check to make sure that the clamp that fixes the unit to the stand has not become loose. Fasten them again securely whenever you notice any loosening.
  - Disconnect the power cord.
  - Disconnect all cords coming from external devices.
- Before cleaning the unit, turn off the power and unplug the AC adaptor from the outlet.
- Whenever you suspect the possibility of lightning in your area, disconnect the AC adaptor from the outlet.
- Should you remove security screws, make sure to put them in a safe place out of children's reach, so there is no chance of them being swallowed accidentally.

# Catalog

CONTROL PANEL .....	02
Top Panel .....	02
INTERFACE PANEL .....	03
CONNECTING AUDIO EQUIPMENT .....	04
Connecting Digital Drums .....	05
About Screen .....	06
Ready To Play .....	07
TURN ON/OFF THE POWER .....	07
HOW YOU CAN PLAY ON DM-7/DM-7X .....	08
Drum Kit Operation .....	10
Selecting a Drum Kit .....	10
Setting the Drum Kit .....	10
Setting the Drum Pad .....	10
Setting the Drum Pad Panning .....	10
One Knob Effect .....	11
Edit The Drum Kit Name .....	11
DEMO song function operation .....	12
Recording function .....	13
COACH function .....	14
Accents .....	14
Time Check .....	15
Queit Count .....	15
Change Up .....	16
System Menu Function .....	17
Hihat Setting .....	17
Trigger .....	17
Midi Note .....	18
Click .....	18
Factory Reset .....	19
Option .....	19
USB-MIDI .....	19
Drum group tone editing .....	20
Midi Table .....	21
Technical Specifications .....	21

# Control Panel

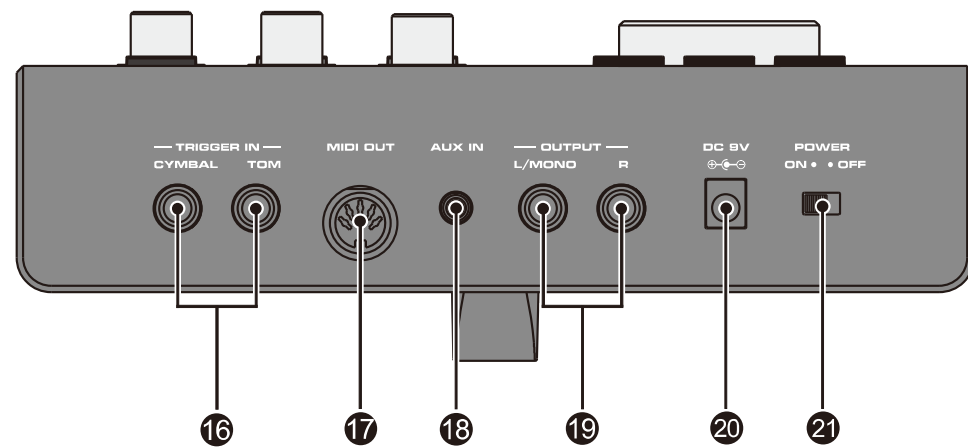
## Top Panel



- 1. Display screen**  
Display operation information.
- 2. Display operation button**  
Display operation button, Operate by the display.
- 3. Drum kit switch knob**  
Switch drum kit.
- 4. Tempo knob**  
Tempo setting.
- 5. Song select knob**  
Built-in demo song selection.
- 6. Effect knob**  
Built-in 4 effects (overdrive, compressor, reverb, tune) knob.
- 7. Instrument knob**  
Adjust drum pad parameters.
- 8. Volume knob**  
Master volume.
- 9. ENTER/KNCK/SNARE button**  
Quickly select the corresponding drum button, ENTER is the Operation confirmation button.
- 10. TOMS/CYMBALS button**  
Quickly select the corresponding drum button.
- 11. REC recording button**  
Quickly enter to recording function.
- 12. CLICK Metronome button**  
Quickly enter to Metronome function.
- 13. PLAY/STOP button**  
Play / stop the demo song.
- 14. DRUM OFF button**  
Turn on/ mute the drum track from demo song.
- 15. USB interface**  
Connecting DM-7/DM-7X with computer.

## Control Panel

### Interface panel



#### 16. Trigger in interface

Expand tom/cymbal.

#### 17. MIDI out interface

MIDI output interface.

#### 18. AUX IN interface

Connect an external audio device.

#### 19. Output interface (L/MONO, R)

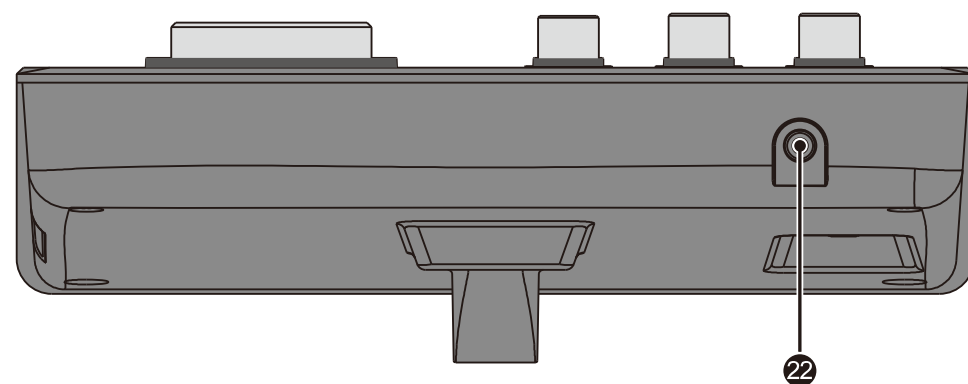
Connect DM-7/DM-7X with PA system or AMP. If you use mono, pls connect L/MONO.

#### 20. DC 9V interface

Connect the power adapter.

#### 21. POWER

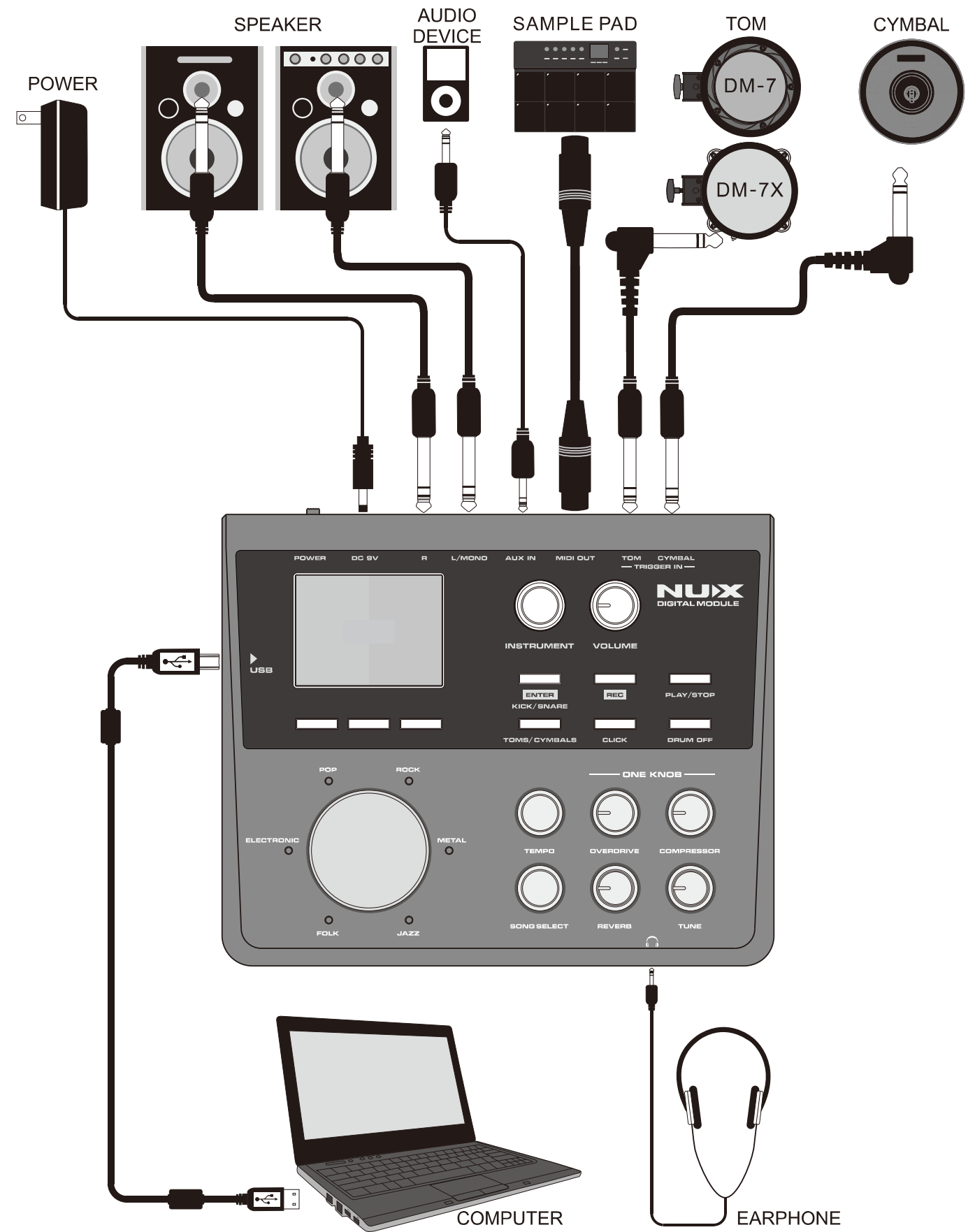
DM-7/DM-7X ON/OFF button.



#### 22. PHONE interface

Earphone interface.

## Connecting Audio Equipment

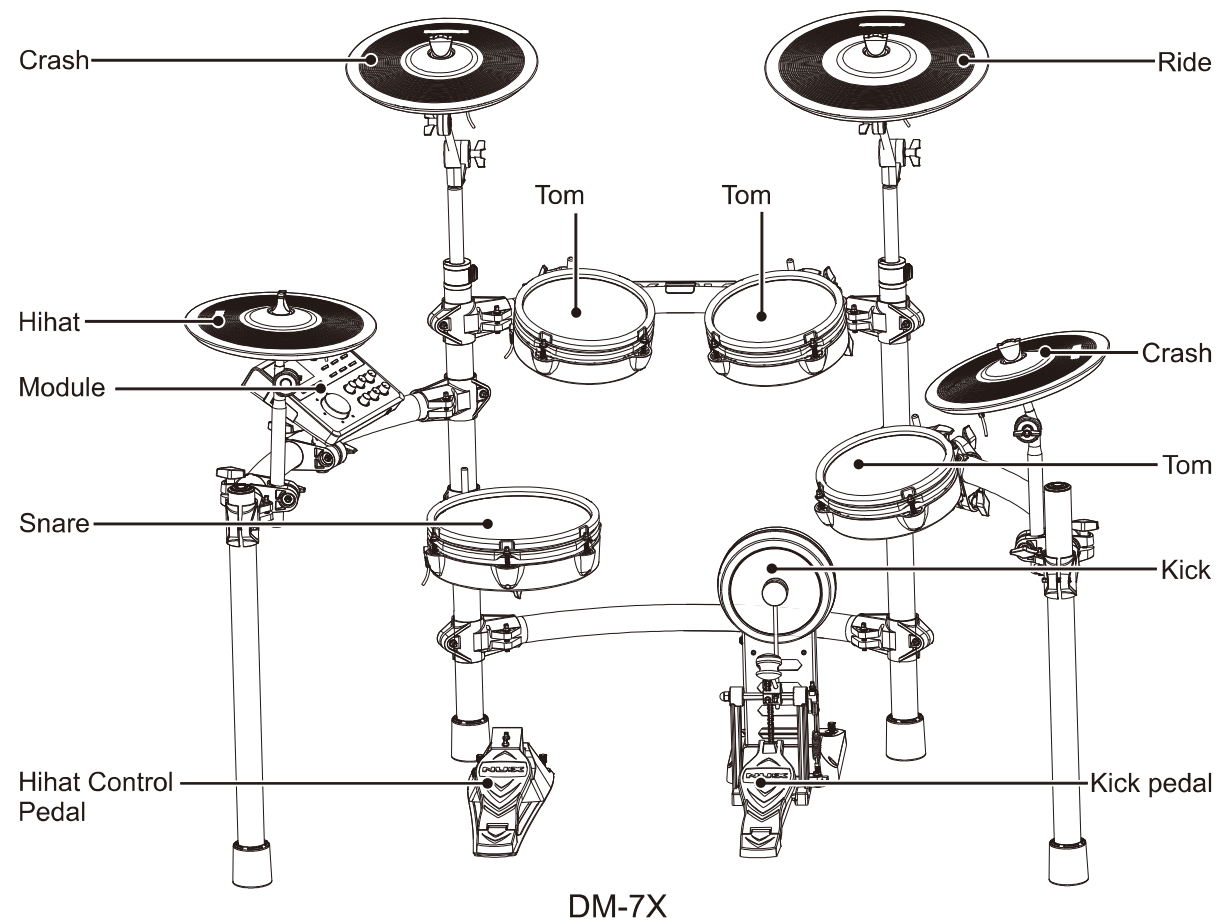
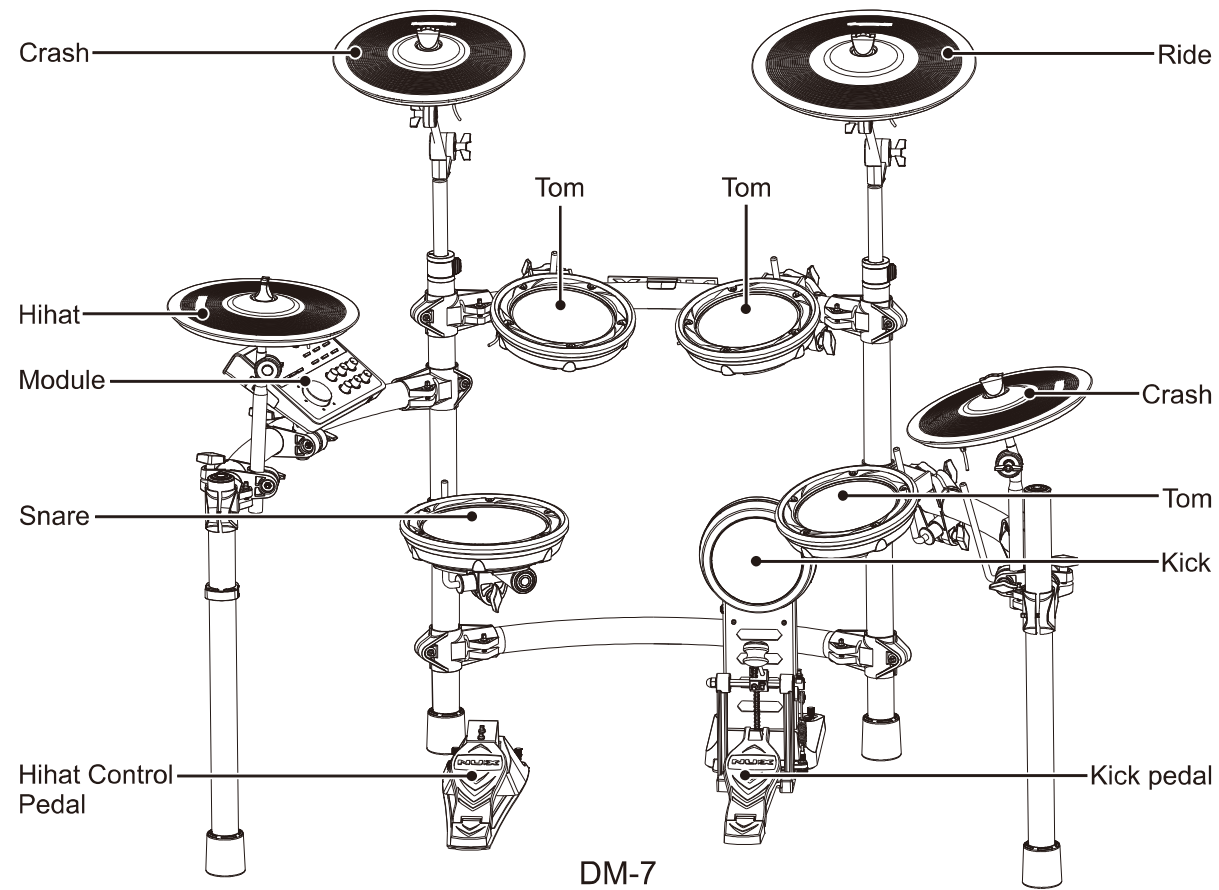


#### WARNING:

To prevent equipment damage, pls turn down the volume before turn on DM-7/DM-7X or connect it to other driver.

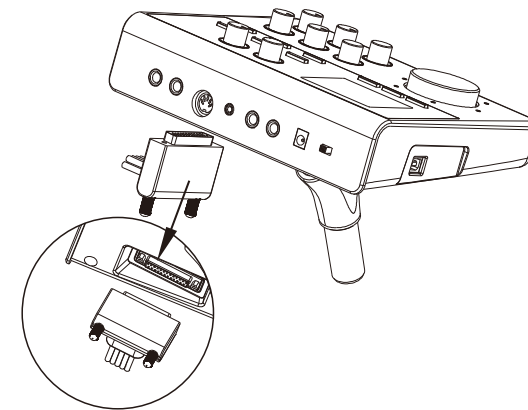


# Connecting Digital Drums



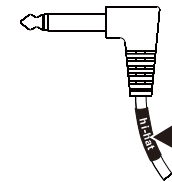
# Connecting Digital Drums

1. Connect the cable to the module.

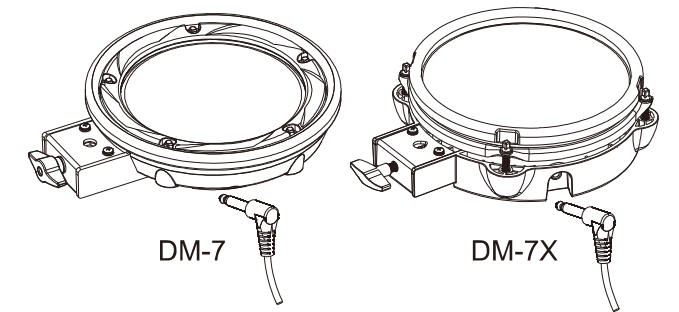


2. Connect the drum and the cymbal

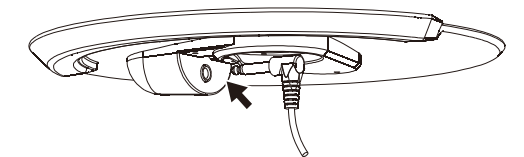
The label on the cable indicates the name of the connected pad or pedal, as the picture shows.



Connect the drum pad:

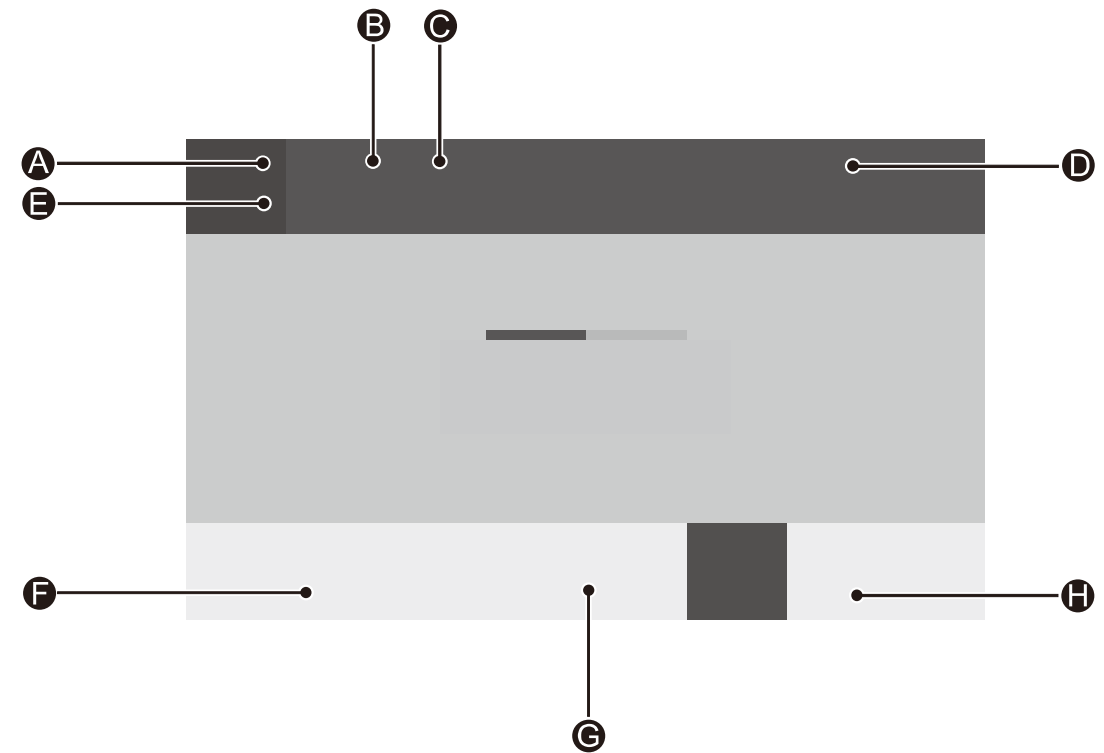


Connect the cymbals:



**Note:** To prevent equipment malfunction or damage, turn down the volume and turn off the power of the device when connecting the device.

# About Screen



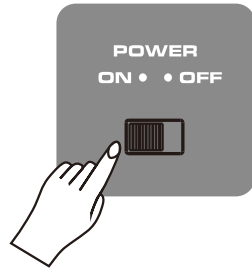
- A: Ten-level force display
- B: Bluetooth
- C: USB connect icon
- D: TEMPO icon

- E: The pad which you playing
- F: Coach icon
- G: MENU icon
- H: UNDO icon

## Turn on/off the power

### \* Turn on the power

1. Turn down the master volume.
2. Turn down the speaker's volume.
3. Turn on the power.

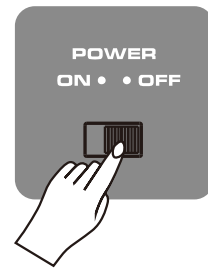


\* When you turning on the power, you may hear a faint sound, this in normal.

4. Hit the drum pad and cymbal pad, tune the volume.

### \* Turn off the power

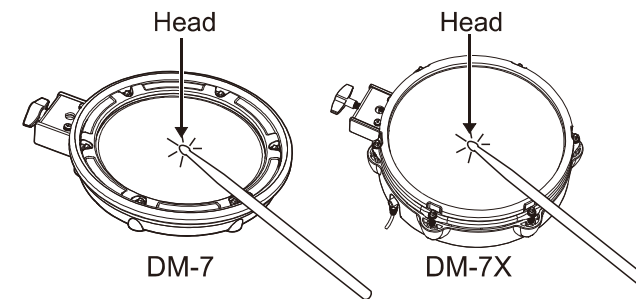
1. Turn down the speaker's volume.
2. Turn off the power of external connection device.
3. Turn off the DM-7/DM-7X.



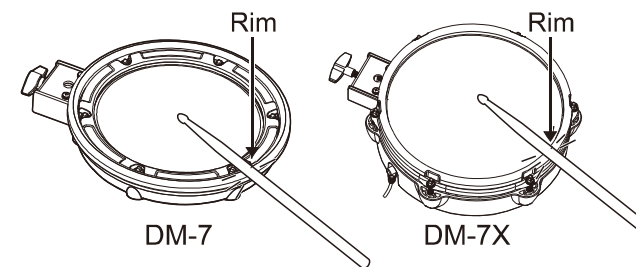
## How you can play on DM-7

### \* Snare

Head shot

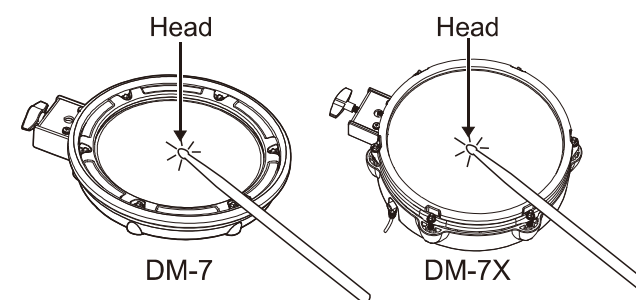


Open rim shot

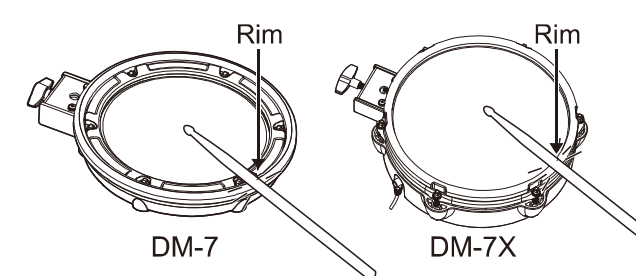


### \* Tom

Head shot

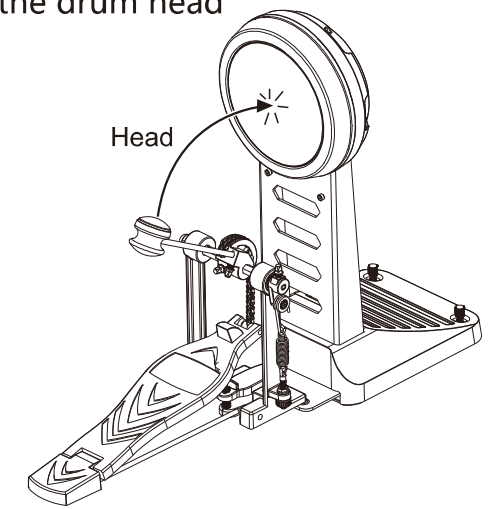


Open rim shot



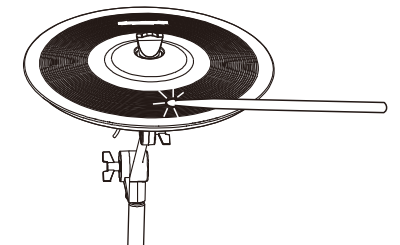
### \* Kick

Hit the drum head

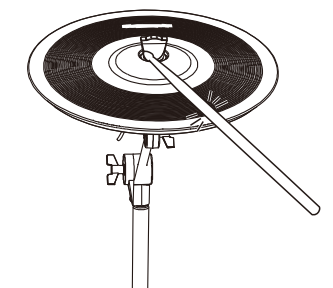


### \* Crash

Bow shot

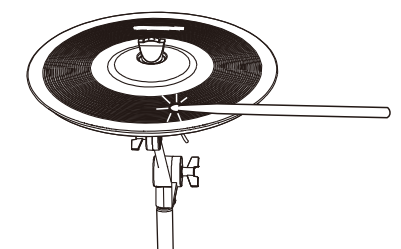


Edge shot



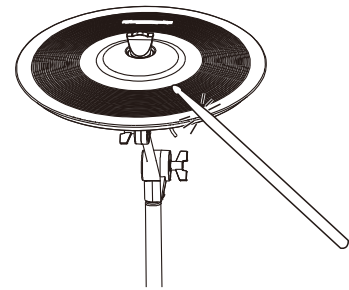
### \* Ride

Bow shot

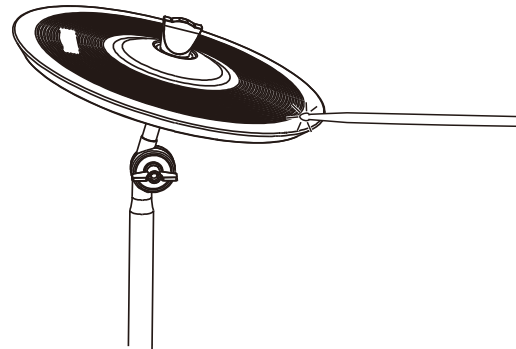


# Ready to Play

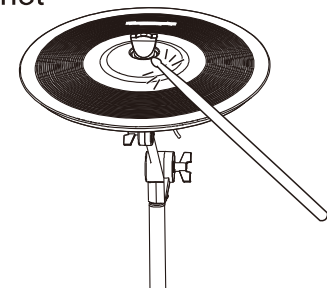
Edge shot



Edge shot

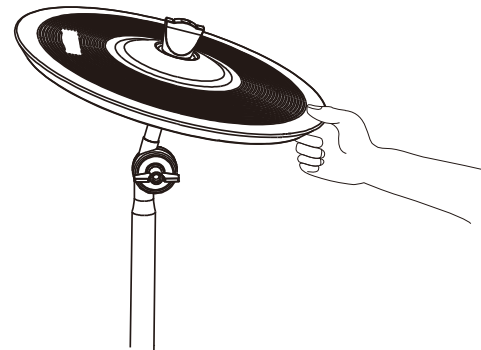


Bell shot



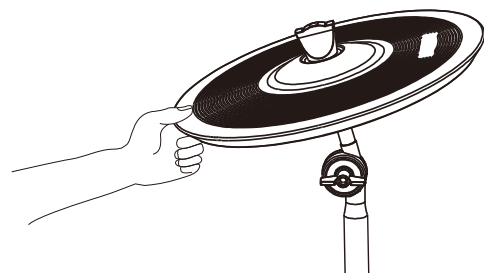
### Choking a cymbal

Choking the cymbal's edge with a hand immediately after hitting the cymbal will mute or choke the sound. Just like with a real cymbal . the choke function only works when you grasp in the area.

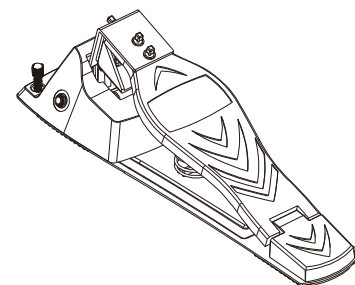


### Choking a cymbal

Choking the cymbal's edge with a hand immediately after hitting the cymbal will mute or choke the sound. Just like with a real cymbal . the choke function only works when you grasp in the area.



### \*Hi-hat control pedal



### Open hi-hat

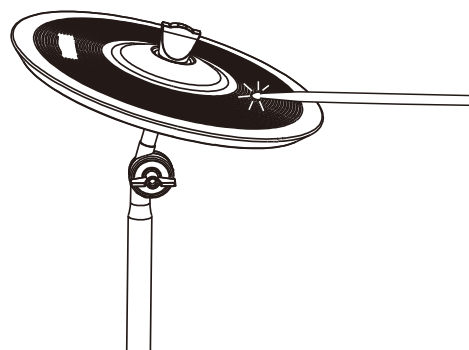
Strike the hi-hat without pressing the pedal.

### Closed hi-hat

Strike the hi-hat with the pedal pressed.

### \*Hihat

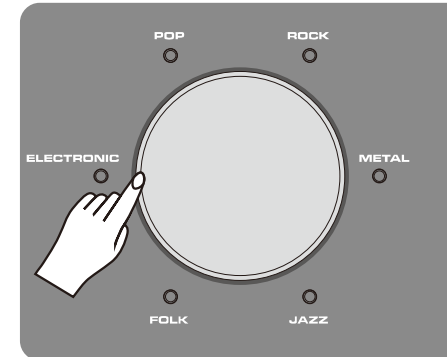
Bow shot



# Drum Kit Operation

## Selecting a Drum Kit

1. Use the dial to select the Drum kit style, press the dial to confirm the style to the indicator flashing, and turn the dial again to select the style inner drum.



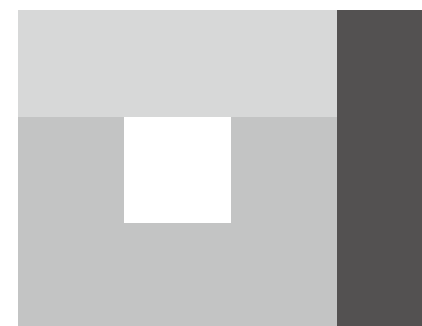
2. Turn the dial to enter the Drum kit mode in any mode.

## Setting the Drum Kit

1. Use the dial to select the drum set you want to edit.
2. Use any button as below pic to enter edit mode.

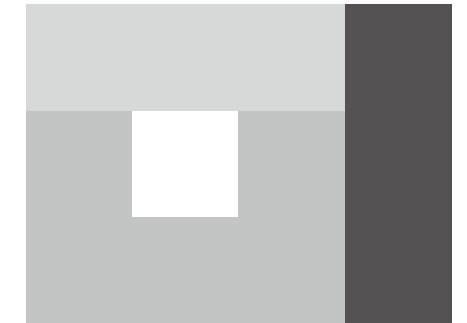


3. Hit any drum pad to select the mat to edit (or you can just press KICK/SNARE, TOMS/CYMBALS) to select.



## Setting the Drum Pad

1. In the drum setting mode, select the pad you need to edit and enter the drum setting mode.



2. Press the display button to select the parameter you want to edit.
3. Use the INSTRUMENT knob to adjust the parameters.
4. Switch any interface to automatically save parameters.

Parameter comparison table

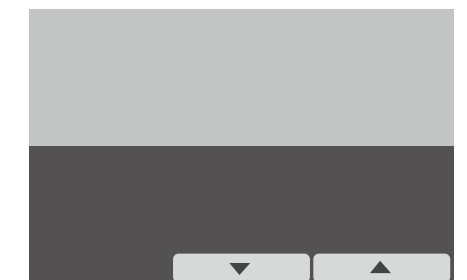
Parameter	Adjustment range	Parameter description
Instrument		Select current drum pad sound
Tuning	-32-0-+32	Adjust the current pad tone
Level	0 -127	Adjust the current pad volume

## Setting the Drum Pad Panning

1. Click the MENU button on the main.



2. Use the up and down keys to select PAD PANNING and press ENTER to enter.

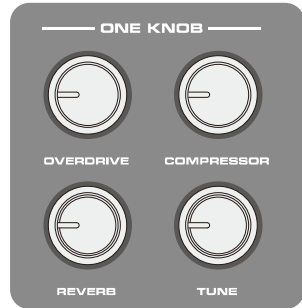


3. Use the up and down keys to select an adjustment item and the INSTRUMENT knob to adjust the parameters.

# Drum Kit Operation

## One Knob Effect

The DM-7/DM-7X's unique One knob effect adjustment feature makes it easy to adjust individual effects instantly. Just rotate each effect knob.

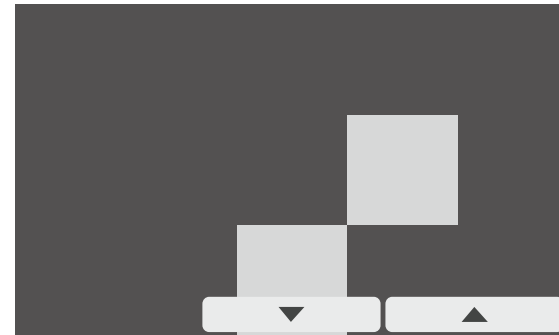


Parameter comparison table

Parameter	Adjustment range	Parameter description
Overdrive	Adjust the intensity according to the brightness of the indicator light	Adjust overdrive
Compressor	Adjust the intensity according to the brightness of the indicator light	Adjust compressor
Reverb	Adjust the intensity according to the brightness of the indicator light	Adjust reverb
Tune	Adjust the intensity according to the brightness of the indicator light	Adjust tune

## Edit The Drum Kit Name

1. Select KIT NAME SET under the MENU, press ENTER to enter the editing interface



2. Use the INSTRUMENT knob to select a character and press the left or right button to select the character you want to edit. (optional characters: A~Z, 0~9)



3. After the modification is completed, press EXIT to exit and save automatically.

**Note:** Modify the drum kit name to the drum group displayed on the current main interface, so first determine the drum kit to be modified in the main interface, and then enter the menu to modify the drum kit name.

# DEMO song function operation

In the Drum kit mode, turn the SONE SELECT knob to enter the demo mode.



**Note:** PRESET represents the built-in demo. User represents the user's recording.

1. Press PLAY/STOP to play or pause the track.



2. Press the DRUM OFF button to turn the drum sound in the demo song on or off.



**Note:** Press the PLAY/STOP button on the DRUM KIT interface to play the demo song. The played track is selected in the song select interface.

2. After entering, adjust the parameters by using the up and down keys and the INSTRUMENT knob.



Parameter comparison table

Parameter	Adjustment range	Parameter description
Drum Off	Drum On-Drum Off	Drums in DEMO are turned on/off
Cycle play	On-Off	Loop playback on/off
Back volume	0 -127	Background music VOL adjustment
Drum volume	0 -127	Drum VOL adjustment

**Note:** When exiting this mode, the parameters are automatically saved (except for the DRUM OFF parameter).

## SONG Setting operation

1. Press MENU on the DRUM KIT interface to enter the menu, press the up or down button to select the character you want to edit, press ENTER to enter the editing interface.





## Recording function

1. Press the REC button on the panel to enter the recording interface, tap any drum, and the recording starts.



2. During recording, press the Pause button to pause recording, pause and press the Record button to continue recording.

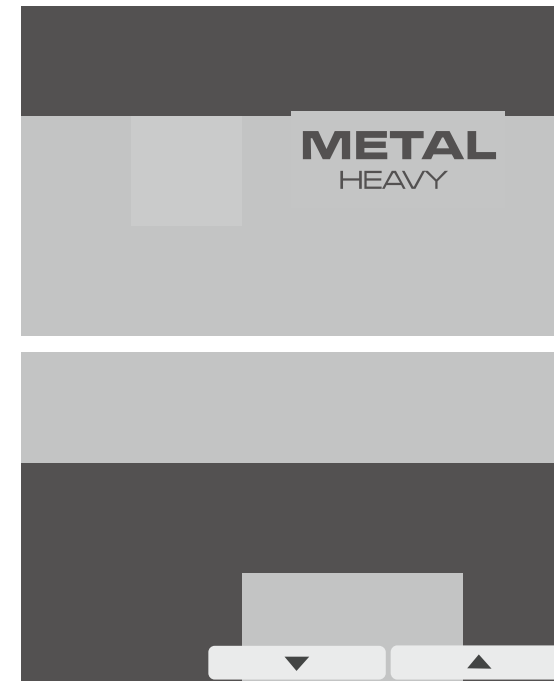


3. During recording, if you stop playing in 3 seconds, the recording is terminated, or the stop button is pressed directly to terminate the recording. After termination, press the play button to listen to this recording.



## COACH function

1. On the DRUM KIT table, click on COACH to enter the coaching function.



2. Use the up and down keys to select the function you want to practice and press ENTER to enter.

### ACCENTS

In this mode, you can practice the accent transfer.

1. Enter this mode, after the automatic four-shot preparation, the practice begins.



2. After finishing the exercise, automatically enter the score interface to score this exercise. (Press START to start the exercise again)



3. Click SETUP to enter the setting interface, press the up and down keys to select the item you want to set, and adjust the parameters by using the INSTRUMENT knob.



Parameter comparison table

Parameter	Adjustment range	Parameter description
Rhythm Shift	8 <sup>th</sup> /Triplet/16 <sup>th</sup>	Accent type switching
Sound	FULL/4 <sup>TH</sup> /ACCENT/QUEIT	Sound switching
Score	OFF/4bar/8bar/16bar/32bar	Scoring mode switching

4. Click CLICK to enter the metronome setting interface, press the up and down keys to select the parameter you want to adjust, and adjust it by using the INSTRUMENT knob.



Parameter comparison table

Parameter	Adjustment range	Parameter description
Tempo	40-240	Speed adjustment
Sound	1/2/3/4	Tone adjustment
Volume	0-127	Volume adjustment
Pan	L64-CENTER-R63	Panning adjustment



# COACH function

## Time Check

In this mode, you can train your hit accuracy.

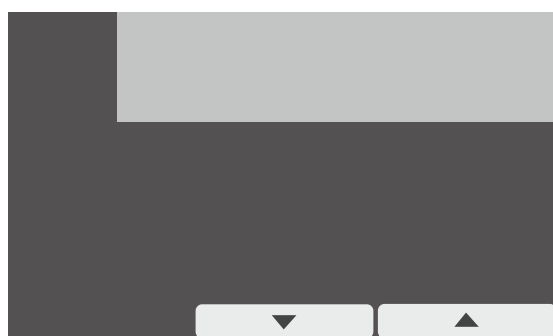
1. Enter this mode, after the automatic four-shot preparation, the practice begins.



2. After finishing the exercise, automatically enter the score interface to score this exercise. (Press START to start the exercise again)



3. Click SETUP to enter the setting interface, press the up and down keys to select the item you want to set, and adjust the parameters by using the INSTRUMENT knob.



Parameter comparison table

Parameter	Adjustment range	Parameter description
Score	OFF/4BAR/8BAR/16BAR/32BAR	Scoring mode switching
Display1	KICK/SNARE/TOMS/RIDE/CYMS/HiHAT	Test position 1
Display2	KICK/SNARE/TOMS/RIDE/CYMS/HiHAT	Test position 2
Gauge	LEFT AHEND/ LEFT BEHIND	Measurement mode switching

4. Press the CLICK button to enter the metronome setting interface, press the up and down keys to select the parameter you want to adjust, and adjust it by using the INSTRUMENT knob.



Parameter comparison table

Parameter	Adjustment range	Parameter description
Tempo	40-240	Speed adjustment
Beat	1-9	Beat adjustment
Rhythm	Triplet/4th/8th/16th	Note switching
Sound	1/2/3/4	Metronome tone type
Volume	0-127	Metronome VOL switching
Pan	L64 – CENTER – R63	Metronome panning switching

## QUIT COUNT

In this mode, you can train the sense of time, and the metronome will alternate between 'sound and mute'.

1. Enter this mode, start the practice after the automatic four-shot preparation.



2. The metronome is muted when practicing to silent shooting.



# COACH function

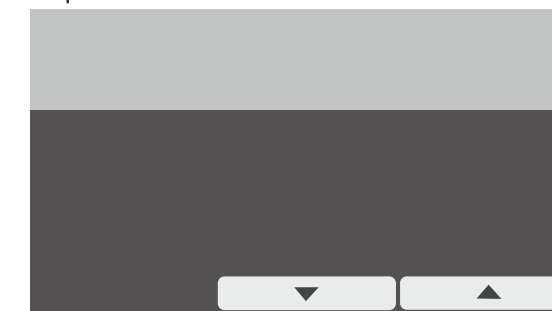
## Change Up

In this mode, you can train your performance speed accuracy for different notes at the same time value.

1. Enter this mode, start the practice after the automatic four-shot preparation.



2. This mode does not set a score, click SETUP to enter the setting interface, use the up and down keys to select the item you want to set, and adjust the parameters with the INSTRUMENT knob.



Parameter comparison table

Parameter	Adjustment range	Parameter description
Duration	5/10/15/20 MINS	Practice time
Change-UP	16th/5/6	Note adjustment
Measures	1/2/4/8	Beat number adjustment

3. Click the CLICK button to enter the metronome setting interface, press the up and down keys to select the parameter you want to adjust, and adjust it by using the INSTRUMENT knob.



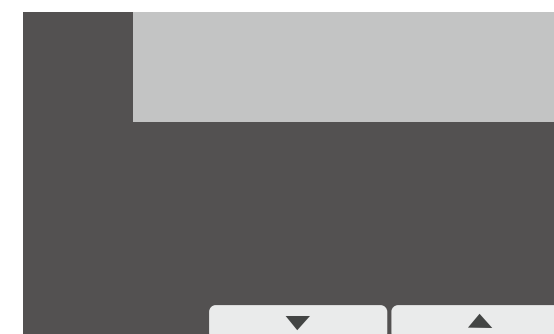
Parameter comparison table

Parameter	Adjustment range	Parameter description
Tempo	40-240	Speed adjustment
Beat	1-9	Beat adjustment
Sound	1/2/3/4	Metronome tone type
Volume	0-127	Metronome VOL switching
Pan	L64-CENTER-R63	Metronome panning switching

3. Automatically score after each session is completed and continue to practice.



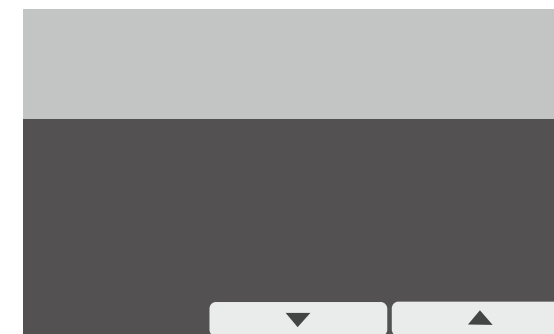
4. Click the SETUP button to enter the setting interface, press the up and down keys to select the item you want to set, and adjust the parameters by using the INSTRUMENT knob.



Parameter comparison table

Parameter	Adjustment range	Parameter description
Measures	4/8/12/16	Number of beats per measure
Quit	1/2/4/8	Silent beat

5. Click the CLICK button to enter the metronome setting interface, press the up and down keys to select the parameter you want to adjust, and use the INSTRUMENT knob to adjust.

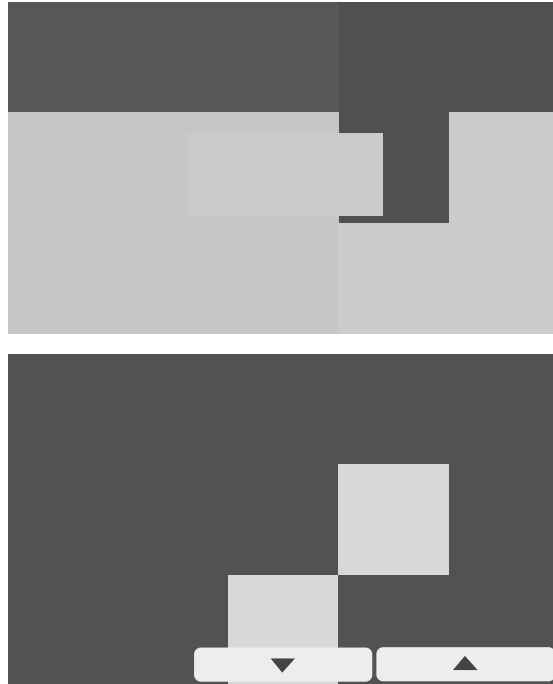


Parameter comparison table

Parameter	Adjustment range	Parameter description
Tempo	40-240	Speed adjustment
Beat	1-9	Beat adjustment
Rhythm	Triplet/4th/8th/16th	Note switching
Sound	1/2/3/4	Metronome tone type
Volume	0-127	Metronome VOL switching
Pan	L64-CENTER-R63	Metronome panning switching

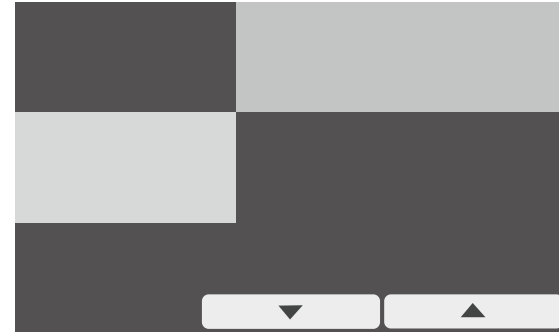
# System Menu Funtion

Click the MENU button on the main interface to enter the menu, and use the up and down keys to select the item you want to set, press ENTER to enter



## Trigger

1. In the MENU screen, select TRIGGER and press ENTER to enter.
2. Hit the pad and select the pad you want to set.
3. Use the up and down keys to select the parameter you want to adjust, use The INSTRUMENT knob adjusts.



\*The higher the sensitivity, the louder the sound even if the pad is tapped lightly. The lower the sensitivity, the smaller the volume will be when you hit the pad with force. Try and adjust the sensitivity that suits your habits.

Parameter comparison table

Parameter	Adjustment range	Parameter description
SENSITIVITY	0.1 – 3.2	Adjust the drum sensitivity, the higher the sensitivity, the louder sound will be produced even if the pad is tapped lightly. The lower the sensitivity, the smaller the volume will be produced even if you tap hard. Try and adjust the sensitivity that suits your combat habits.
THRESHOLD	0 – 16	Adjust the trigger level of the drum.
<p>As shown on the right, the B waveform will sound and the A and C waveforms will not occur.</p> <p><b>Note:</b> If the value you set is too high, a light blow will not sound.</p>		
SCANTIME	1MS-8MS	Adjust the detection time of the trigger signal.
<p>When setting, try a soft and powerful blow and confirm the natural change in volume.</p> <p><b>Note:</b> If the value you set is too high, the sounding time will be lengthened. Please set as low as possible.</p>		
MASKTME	4MS-64MS	Adjust the masking time of the trigger signal.
<p><b>Note:</b> When playing fast, too high values may mask the trigger signal, so lower the value as much as possible.</p> <p>Sound not produced</p>		

## Hihat Setting

Select the HIHAT SETTING item and press the ENTER key to enter. This interface is used to adjust the hi-hat system value.



Adjust the value with the INSTRUMENT knob.  
HH VOLUME Hi-hat volume adjustment  
Range: 0 – 126

HH OPEN VAL (opening hihat range adjustment)  
Range: 70 – 126

HH CLOSE VAL(closing hihat range adjustment)  
Range: 1-60

# System Menu Funtion

Parameter comparison table

Parameter	Adjustment range	Parameter description
KICK	OFF, 0 - 127	Adjust the kick drum output midi code
SNARE	OFF, 0 - 127	Adjust the snare drum output midi code
SNARE RIM	OFF, 0 - 127	Adjust the snare rim output midi code
TOM1	OFF, 0 - 127	Adjust the tom1 output midi code
TOM1 RIM	OFF, 0 - 127	Adjust the tom1 rim output midi code
TOM2	OFF, 0 - 127	Adjust the tom2 output midi code
TOM2 RIM	OFF, 0 - 127	Adjust the tom2 rim output midi code
TOM3	OFF, 0 - 127	Adjust the tom3 output midi code
TOM3 RIM	OFF, 0 - 127	Adjust the tom3 rim output midi code
RIDE BOW	OFF, 0 - 127	Adjust the ride bow output midi code
RIDE EDGE	OFF, 0 - 127	Adjust the ride edge output midi code
RIDE BELL	OFF, 0 - 127	Adjust the ride bell output midi code
CRASH1 BOW	OFF, 0 - 127	Adjust the crash1 bow output midi code
CRASH1 EDGE	OFF, 0 - 127	Adjust the crash1 edge output midi code
CRASH2 BOW	OFF, 0 - 127	Adjust the crash2 bow output midi code
CRASH2 EDGE	OFF, 0 - 127	Adjust the crash2 edge output midi code
HH OPEN BOW	OFF, 0 - 127	Adjust the open hihat bow output midi code
HH OPEN EDGE	OFF, 0 - 127	Adjust the open hihat edge output midi code
HH CLOSE BOW	OFF, 0 - 127	Adjust the close hihat bow output midi code
HH CLOSE EDGE	OFF, 0 - 127	Adjust the close hihat edge output midi code
HH PEDAL	OFF, 0 - 127	Adjust the hihat control output midi code
TOM4	OFF, 0 - 127	Adjust the tom4 output midi code
TOM4 RIM	OFF, 0 - 127	Adjust the tom4 rim output midi code

**Note:** When you exit this mode, the parameters are automatically saved.

## Click

1. Select the CLICK item in the MENU interface and press ENTER to enter
2. Use the up and down keys to select the parameter you want to adjust, adjust the value using the INSTRUMENT knob



Parameter comparison table

Parameter	Adjustment range	Parameter description
Tempo	40-240	Speed adjustment
Beat	1-9	Beat adjustment
Rhythm	Triplet/4th/8th/16th	Note switching
Sound	1/2/3/4	Metronome tone type
Volume	0-127	Metronome VOL switching
Pan	L64-CENTER-R63	Metronome panning switching

**Note:** When you exit this mode, the parameters are automatically saved.

RETRIG CANCEL	0-16	Adjust the repeat trigger value of the trigger signal.
<p><b>Note:</b> If the value is set too high, some hit signals may be ignored due to the small force of the strike. Therefore, set the minimum value as much as possible without repeated triggering.</p>		
XTALK CANCEL	0%-80%	Adjust the crosstalk value.
<p>When hit, some drums that are not hit are also triggered to sound, improving the XTALK CANCEL of the drum that is being audible.</p> <p><b>Note:</b> If the value is set too high and the strike is at the same time, the drum with a small striking force may not be triggered. Therefore, the value is set as small as possible without crosstalk.</p>		
CURVE	LINEAR/EXP/LOG/LOUD	
RIM GAIN	0.1-3.2	Adjust the edge hit gain to be effective only for the drum rim and the cymbals edge.
HEAD RIM ADJUST	0.1-3.0	When you hit the rim or the side, the tone will be worse than you want, you can improve this by adjusting RIM ADJUST. If the value is set too low, you will not be able to play it.

**Note:** The parameter will be saved automatically when exiting this mode.

## Midi Note

Set the MIDI code output corresponding to the pad, OFF means no output

1. In the MENU interface, select MIDI NOTE and press ENTER enter.



2. Use the up and down keys to select the parameter you want to adjust, use the INSTRUMENT knob to adjust the value.



# System Menu Funtion

## Factory Reset

1. In the MENU screen, select FACTORY RESET and press ENTER to enter.
2. Use the up and down keys to select the parameter you want to adjust and press ENTER to enter the setting.



Parameter comparison table

Parameter	Interface content	Parameter description
RESET CURRENT KT		Restore all current parameters of this drum kit to the factory settings.
RESET ALL KT		Restore all parameters of all drum kits to factory settings.
RESET SYSTEM		Restore the source system version content to the factory settings.
RESET ALL		Restore all content values to factory settings. (one click recovery)

## Option

1. In the MENU screen, select OPTION and press ENTER to enter.
2. Use the up and down keys to select the parameter you want to adjust, use the INSTRUMENT knob to adjust the value.



3. When you adjust the MEMORY LOCK, if you select to LOCK, the screen will show an icon . That means no matter you adjust any parameters, they will not be saved.

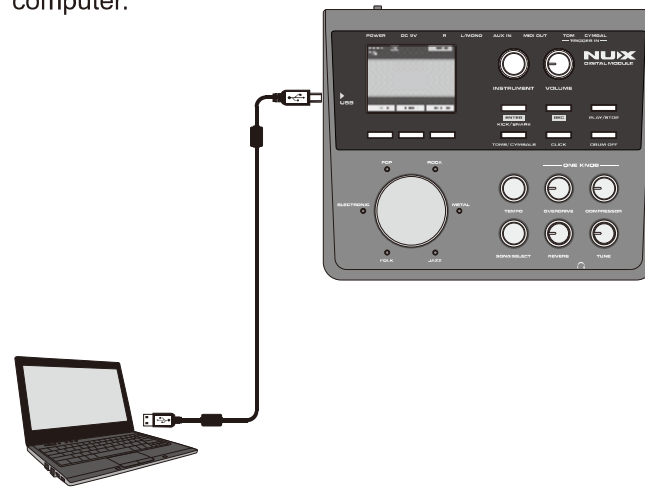


Parameter comparison table

Parameter	Adjustment range	Description
TFT BRIGHTNESS	0-10	Screen brightness adjustment
MIDI OUT CHANNEL	1-16	Midi signal channel selection
MEMORY LOCK	LOCK / UNLOCK	Memory lock selection
SYSTEM INFORMATION		System version information

## USB-MIDI

Use the USB MIDI cable to connect the drum machine USB port to the computer's USB port. After the connection is successful, the USB icon on the screen will light. After the connection is successful, the unit responds to the MIDI signal transmitted from the computer and sends a MIDI signal to the computer.



# Drum Group Tone Editing

Style	Full Name
POP	Standard
	Original
	Vintage
	Studio
	Stage
	POP06
	POP07
	POP08
ROCK	Standard
	Stage
	Original
	Studio
	Vintage
	ROCK06
	ROCK07
	ROCK07
METAL	Heavy
	Blast
	90s
	Diabolic
	Progressive
	METAL06
	METAL07
	METAL08
JAZZ	Standard
	Original
	Live
	Swing
	Modern
	JAZZ06
	JAZZ07
	JAZZ08
FOLK	Jing-Opera
	Bangor
	Latin
	Conga
	Africa
	FOLK06
	FOLK07
	FOLK08
ELECTRONIC	Standard
	Morden Machine
	Ambience
	Dubstep
	Stage
	ELECT06
	ELECT07
	ELECT08

**Note:** Groups 1-5 of each style are preset drum kits, Group 6-8 of each styles are custom drum kits.

# Midi Table

Function	Transmitted	Recognized	Remarked	
Basic default	10	1-16		
Channel changed	No	No		
Note	0-127	0-127		
Velocity:	Note on	Yes	Yes	
	Note off	No	Yes	
After key's	No	Yes		
Touch Channel's	No	Yes		
Control Change:	0	No	No	Bank select
	1	No	Yes	Modulation
	5	No	Yes	Portamento time
	7	No	Yes	Volume
	10	No	Yes	Pan
	11	No	Yes	Expression
	64	No	Yes	Sustain pedal
	65	No	Yes	Portamento on/off
	66	No	Yes	Sostenuto pedal
	67	No	Yes	Soft pedal
	120	No	Yes	All sound off
121	No	Yes	Reset all controllers	
123	No	Yes	All note off	
Program Change:	No	Yes	Yes	
System exclusive	No	No	No	

## Technical Specifications

**Polyphony** :108

**Display** :TFT LCD color screen

**Voice** :30 sets of sounds

**Drum Kit** :48 sets of drum sets (30 sets of preset drum sets, 18 sets of user drum sets)

**Demo song**: 20 demo songs

**Recording**: 10 sets of recordings

**C L I C K**: Editable metronome tone, number of beats, rhythm, speed, volume Trigger : MIDI function:USB MIDI, automatic computer recognition 3 TOM (dual trigger), 1 SNARE (dual trigger), 1 HIHAT (dual trigger), 1 CRASH (dual trigger), 1 RIDE (three trigger), 1 KICK (single trigger)

**Interface** :Headphone jack, power connector, OUTPUT, AUX IN, MIDI OUT, TRIGGER IN (CYMBAL/TOM)

**Power** :DC 9V

\*Technical specifications are subject to change without notice.

**FCC ID: 2A0AA-DM-7**

**FCC WARNING:**

This device complies with part 15 of the FCC Rules. Operation is subject to the following two conditions: (1) this device may not cause harmful interference, and (2) this device must accept any interference received, including interference that may cause undesired operation. Any changes or modifications not expressly approved by the party responsible for compliance could void the user's authority to operate the equipment.

**NOTE:** This equipment has been tested and found to comply with the limits for a Class B digital device, pursuant to Part 15 of the FCC Rules. These limits are designed to provide reasonable protection against harmful interference in a residential installation. This equipment generates, uses and can radiate radio frequency energy and, if not installed and used in accordance with the instructions, may cause harmful interference to radio communications. However, there is no guarantee that interference will not occur in a particular installation.

If this equipment does cause harmful interference to radio or television reception, which can be determined by turning the equipment off and on, the user is encouraged to try to correct the interference by one or more of the following measures:

- Reorient or relocate the receiving antenna.
- Increase the separation between the equipment and receiver.
- Connect the equipment into an outlet on a circuit different from that to which the receiver is connected.
- Consult the dealer or an experienced radio/TV technician for help.

To maintain compliance with FCC's RF Exposure guidelines, This equipment should be installed and operated with minimum distance between 20cm the radiator your body: Use only the supplied antenna.

**According to the technical specifications of low-power radio frequency equipment:**

For low-power radio frequency equipment that has been certified, companies, firms, or users are not allowed to change the frequency, increase the power, or change the characteristics and functions of the original design without approval. The use of low-power radio frequency equipment must not affect flight safety and interfere with legal communications; if interference is found, it should be stopped immediately and improved to no interference before continuing to use. The aforementioned legal communication refers to radio communication operated in accordance with the provisions of the Telecommunications Administration Law. Low-power radio frequency equipment must endure the interference of legal communications or industrial, scientific and medical radio wave radiation electrical equipment.



Made in China



# 安全使用本设备

为避免火灾、电击以及人身伤害，请遵循以下指示

- 将本设备的电源插口与带有接地保护的电源插座连接。
  - 请勿自行拆开或改动本设备的任何内置部件。
  - 请勿尝试修理或更换本设备零件（除非本说明书提供有安装选购配备的指示）请就近洽询NUX服务中心或NUX授权经销商。
  - 请勿将本设备放置在以下场所：
    - 温度过高的场所（例如阳光直射下的封闭车辆中、热输送管附近或发热机器的上方）
    - 潮湿处（例如：浴室、洗手间、或潮湿的地面）
    - 湿气重的地方
    - 直接遭雨淋的地方
    - 灰尘多的地方
    - 有强烈震动的地方
  - 请确保将本设备放置于平坦之处以确保其稳固。请勿将本设备放置于可能会摇晃的支架上或是倾斜之处。
- 
- 当发生以下情况时，请立即关闭电源，将插头拔掉，并与当地 NUX 服务中心或 NUX 授权经销商联系：
    - AC 适配器、电源线或是插头破损
    - 发生冒烟或发出异味
    - 异物或液体掉入或渗入本设备
    - 本设备直接遭雨淋（或打湿）
    - 本设备操作不正常或是表现有明显的变化
  - 请注意家中的孩童。成人应监督孩童行为，直到他有能力遵循必要的安全指示操作本设备。
- 本设备必须连接操作说明中指示的和设备背面注明的供电装置。
  - 请使用本设备附属的电源导线。附属的电源导线请勿用于其它的设备。
  - 电源线请勿过度扭曲或弯折，也不可以在上面放置重物。这样可能会损坏电源线而造成元件断裂与短路。损坏的电线可能造成火灾和触电的危险！
  - 无论单独使用本设备或连接使用放大器、音箱或耳机时，过大的音量可能会导致听力永久的损害。请勿长期在过大音量或任何会导致不适的音量下使用。如果您感到任何听力的损失或产生耳鸣，请停止使用并迅速求诊。
  - 请勿将任何物品（如易燃物、硬币、别针等）或任何液体（水、饮料等）掉入或渗入本设备中。
  - 避免强烈的碰撞。（请勿摔落！）
  - 请勿将过多的电器与本设备共用一个插座。在使用延长线时，请特别注意您连接在延长线上的所有设备，其总功率绝对不可超过延长线所能承受的功率。电流的超载会导致导线发热并溶解包覆电线的绝缘物质。

- 在国外使用本设备之前，请与当地 NUX 服务中心或 NUX 授权经销商联系。
- 请勿将盛有水的容器（如花瓶）或饮料放置于本设备上。盛有杀虫剂、香水、酒精、指甲油或喷雾剂的容器也不要放置在本设备上。请使用柔软的干布擦拭溅到本设备上的液体。
- 请将本设备和 AC 适配器放置在不影响其良好通风的场所或方向。
- 将 AC 适配器的插头插入或拔开插座时，请用手拿本设备电源线的插头部分。
- 每隔一段时间，您必须将 AC 适配器的电源插头拔掉，并用干布擦拭和清除累积于插头的灰尘。当长期不使用本设备时，也请将电源插头拔离插座。在电源插头与电源插座之间沉积的灰尘可能会使绝缘不良而导致火灾。
- 请避免电源线与各种导线互相缠绕。此外，也请让孩童远离电源线与导线。请勿踩踏在本设备上，也不要将重物放置在本设备上。
- 手部潮湿时，请勿拿取本设备的电源线或将 AC 适配器的插头插入或拔离插座。
- 移动本设备之前，请拔下 AC 适配器连接线和所有与本设备连接的外置设备连线。
- 清洁本设备之前，请关闭电源并从插座上拔下 AC 适配器连接线。
- 若怀疑您的地区可能发生雷击时，请将电源插头拔掉。

- 请把螺丝放置于孩童触及不到的安全之处，以防孩童误吞食。

根據低功率射頻器材技術規範：  
取得審驗證明之低功率射頻器材，非經核準，公司、商號或使用者均不得擅自變更頻率、加大功率或變更原設計之特性及功能。低功率射頻器材之使用不得影響飛航安全及干擾合法通信；經發現有干擾現象時，應立即停用，並改善至無干擾現象時方得繼續使用。前述合法通信，指依電信管理法規定作業之無線電通信。低功率射頻器材須忍受合法通信或工業、科學及醫療用電波輻射性電機設備之干擾。



# 目录

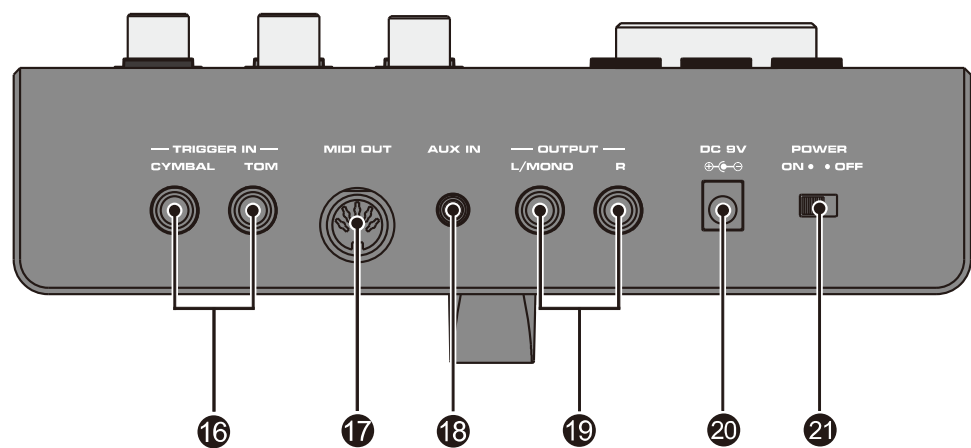
控制面板 .....	02
正面面板 .....	02
接口面板 .....	03
连接音频设备 .....	04
连接电子鼓 .....	05
关于屏幕 .....	06
准备演奏 .....	07
开启/关闭电源 .....	07
演奏方式 .....	08
套鼓功能操作 .....	10
套鼓整体切换 .....	10
套鼓设置 .....	10
套鼓鼓盘设置 .....	10
鼓盘相位设置 .....	10
ONE KNOB效果器调节 .....	11
鼓组名称编辑 .....	11
DEMO曲功能操作 .....	12
录音功能操作 .....	13
教练功能操作 .....	14
ACCENTS .....	14
TIME CHECK .....	15
QUEIT COUNT .....	15
CHANGE UP .....	16
系统菜单功能操作 .....	17
HIHAT SETTING .....	17
TRIGGER .....	17
MIDI NOTE .....	18
CLICK (节拍器功能设置) .....	18
FACTORY RESET (恢复出厂设置) .....	19
OPTION (其他选项设置) .....	19
USB-MIDI 功能 .....	19
鼓组音色编辑 .....	20
MIDI执行列表 .....	21
技术规格 .....	22

## 正面面板



- |   |  |
|---|--|
| <p><b>1. Display 显示屏幕</b><br/>显示DM-7/DM-7X操作信息。</p> <p><b>2. 显示屏操作按键</b><br/>显示屏参数操作按键，按显示屏显示内容进行操作。</p> <p><b>3. 鼓组切换编码器</b><br/>切换音色组与鼓组编码器。</p> <p><b>4. TEMPO旋钮</b><br/>调节节拍器速度旋钮。</p> <p><b>5. SONG SELECT 歌曲选择旋钮</b><br/>内置演示歌曲选择旋钮。</p> <p><b>6. ONE KNOB 效果器旋钮</b><br/>内置4种效果器 (overdrive、compressor、reverb、tune) 旋钮。</p> <p><b>7. INSTRUMENT旋钮</b><br/>调节相应鼓盘参数旋钮。</p> <p><b>8. VOLUME旋钮</b><br/>调节总输出音量旋钮。</p> <p><b>9. ENTER/KICK/SNARE按键</b><br/>快速选择相对应鼓盘设置按键，ENTER作为部分操作确认按键。</p> | <p><b>10. TOMS/CYMBALS按键</b><br/>快速选择相对应鼓盘设置按键。</p> <p><b>11. REC录音按键</b><br/>快速打开录音界面。</p> <p><b>12. CLICK节拍器按键</b><br/>快速打开节拍器界面。</p> <p><b>13. PLAY/STOP播放/暂停按键</b><br/>播放录音与内置演示曲目按键。</p> <p><b>14. DRUM OFF按键</b><br/>开启/静音演示曲内的鼓声。</p> <p><b>15. USB接口</b><br/>连接USB至电脑端，在电脑与DM-7/DM-7X之间传输MIDI命令。</p> |
|---|--|

## 接口面板



### 16. TRIGGER IN接口

拓展TOM, 拓展CYMBAL接口。

### 17. MIDI OUT接口

MIDI信号输出接口。

### 18. AUX IN接口

连接外置音频 (如外接MP3或CD播放器, 输入音频信号, 从OUTPUT或PHONE耳机口输出)。

### 19. OUTPUT接口 (L/MONO, R)

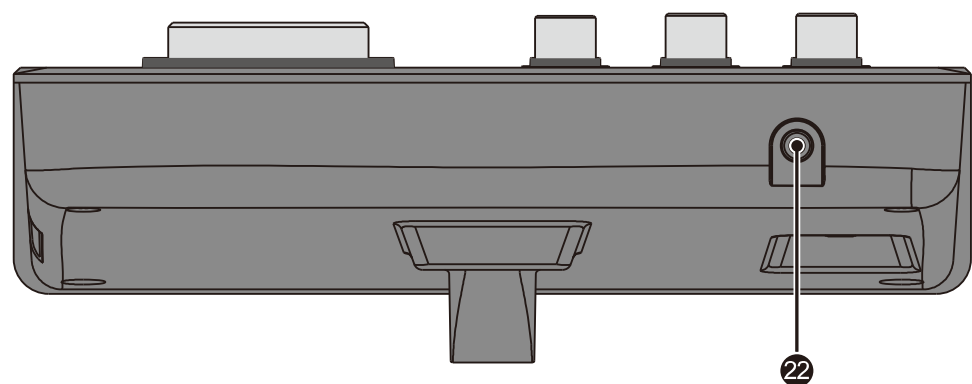
用于连接DM-7/DM-7X至外置音频放大器或外部音频设备。当你使用单声道输出时, 请使用L/MONO。

### 20. DC 9V接口

连接电源适配器。

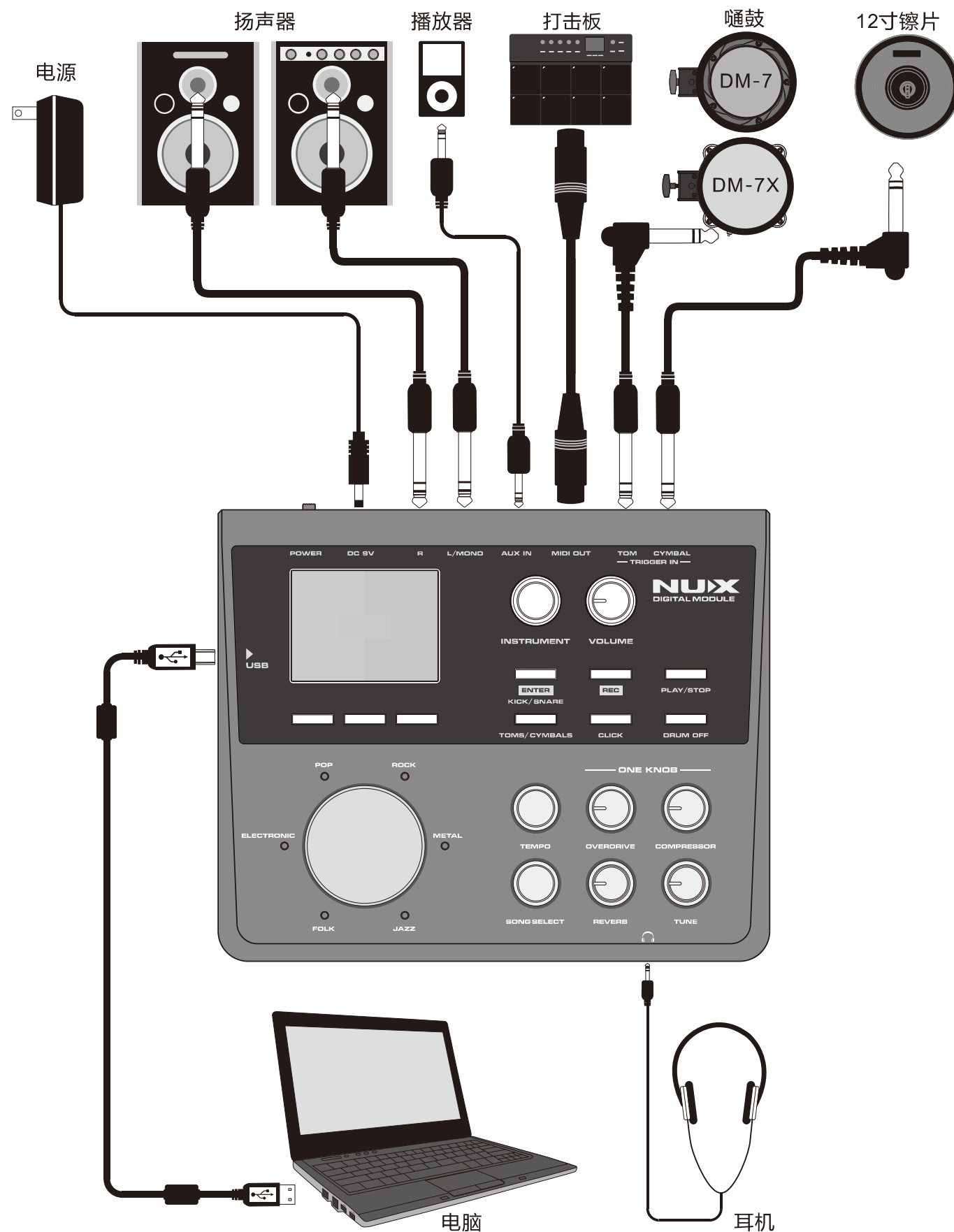
### 21. POWER按键

DM-7/DM-7X开关机按键。



### 22. PHONE接口

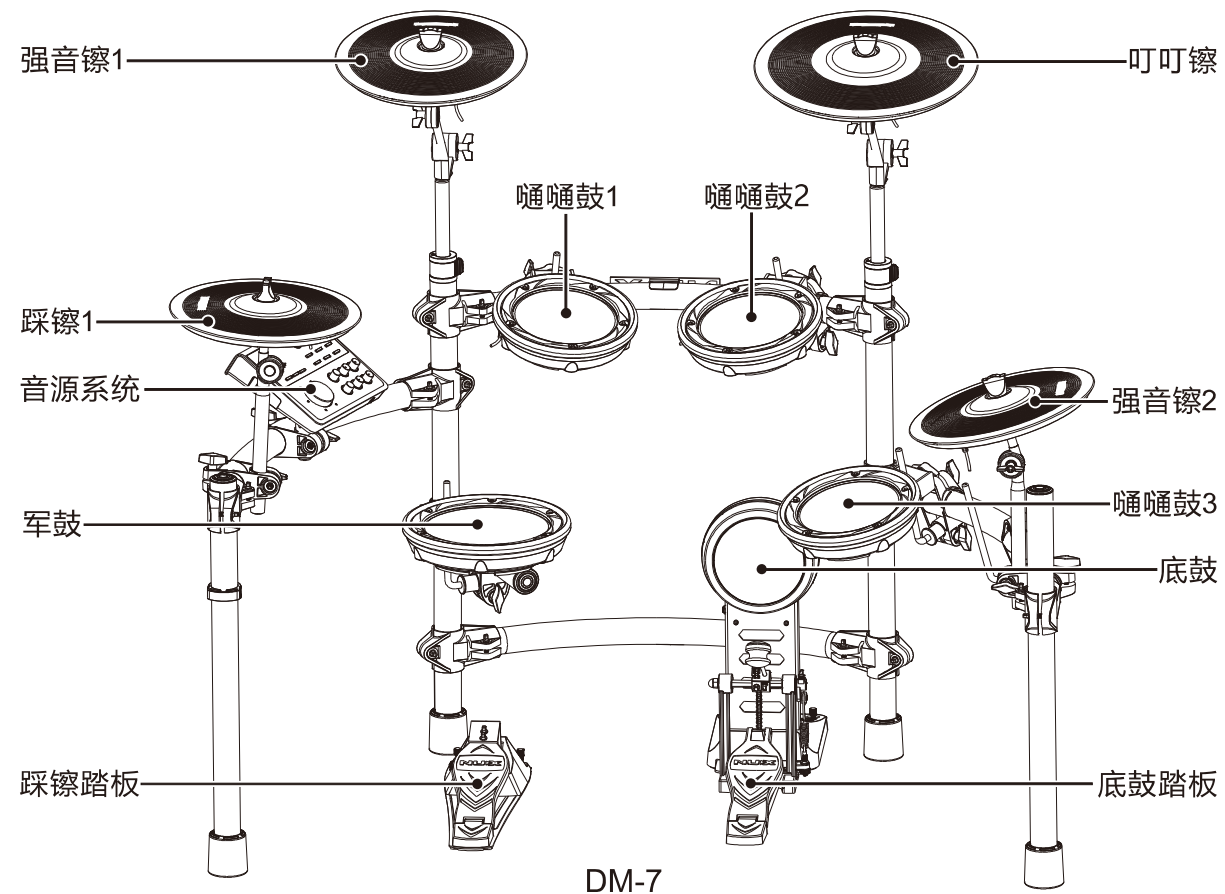
耳机接口, 连接立体声耳机。当使用耳机时, 不会对OUTPUT接口静音。



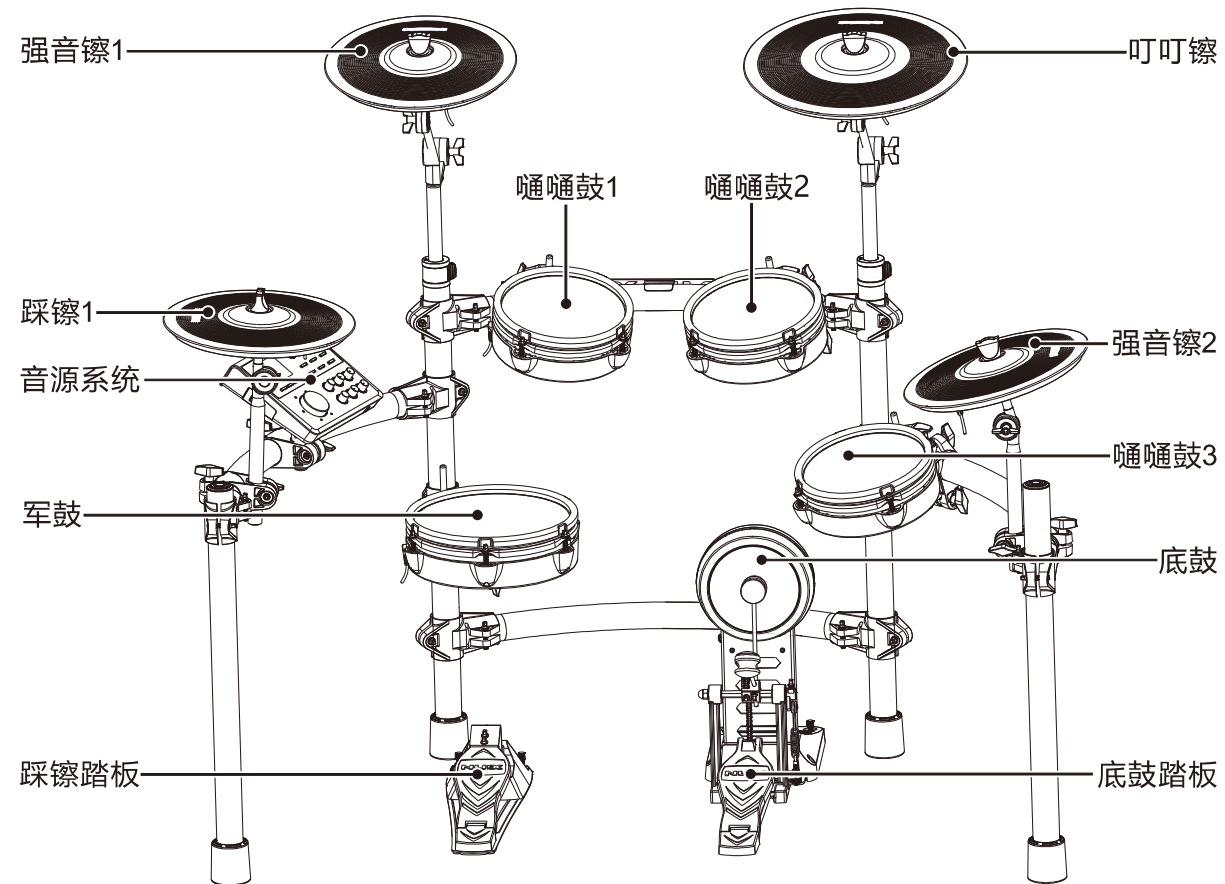
### 注意:

为了防止本设备故障或损坏, 在开机或进行其它设备连接前, 请调低音量并把设备电源关闭。

# 连接电子鼓



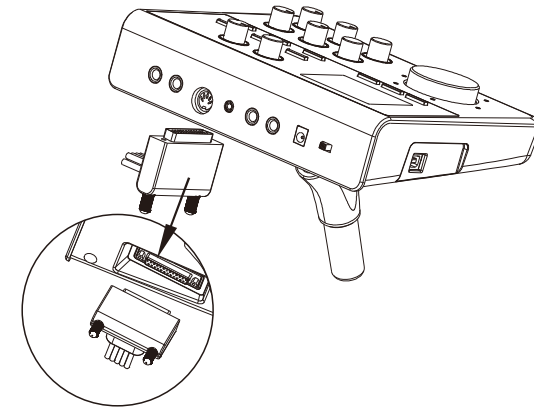
DM-7



DM-7X

# 连接电子鼓

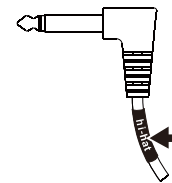
1. 连接数据线到音源系统。



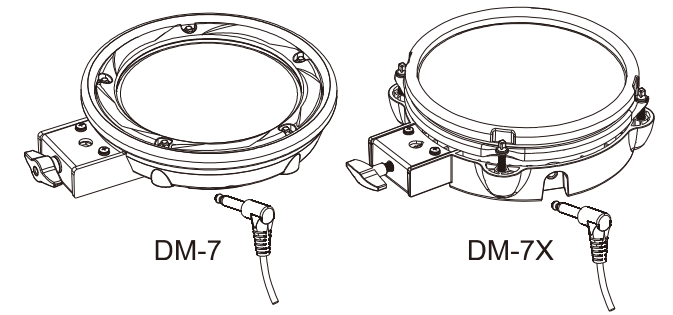
2. 连接鼓盘和镲片。

连接线上的标签指示所连接的打击垫或踏板的名称。

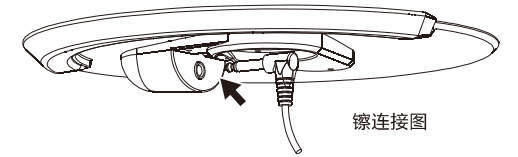
如下图所示：



连接鼓盘：

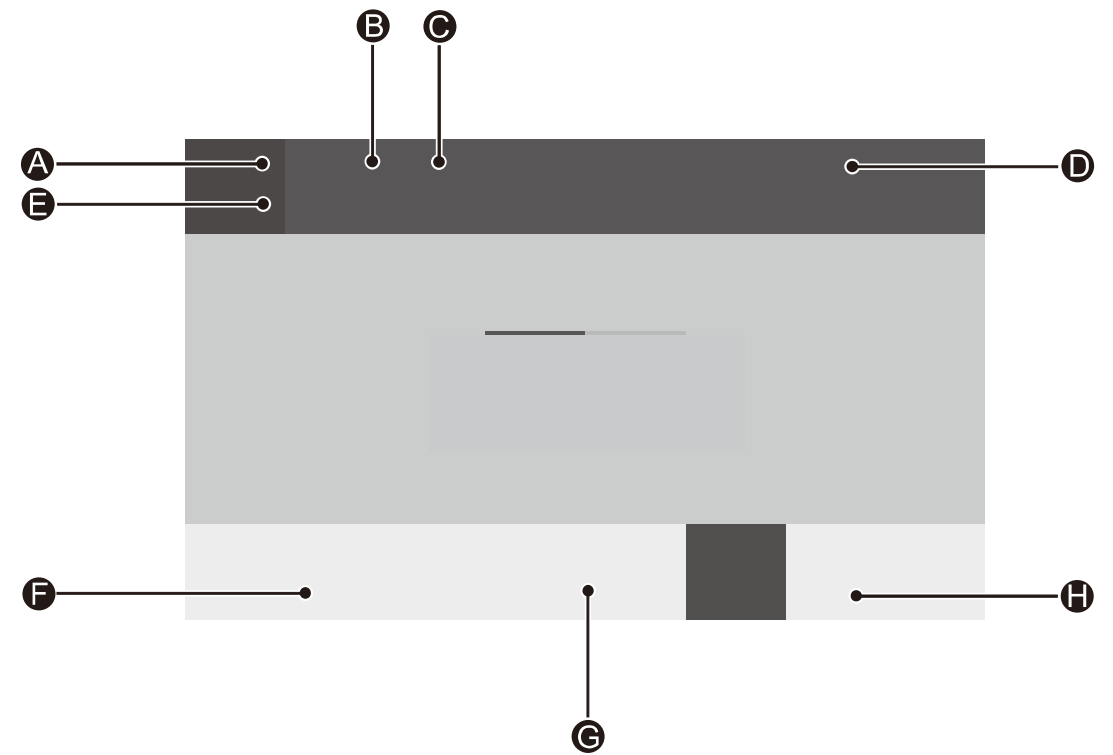


连接镲片：



**注意：** 为了防止本设备故障或损坏，在连接本设备时，请调低音量并把本设备电源关闭。

# 关于屏幕



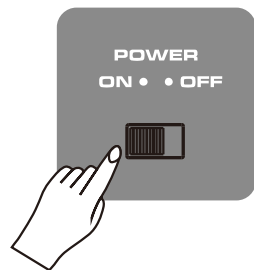
- A: 十级显示打击垫打击力度
- B: 蓝牙图标
- C: USB连接图标
- D: 节拍器速度图标

- E: 正在打击的打击垫图标
- F: 教练功能图标
- G: 菜单界面图标
- H: 重置和撤回图标

## 开启/关闭电源

### \*开启电源

1. 将VOLUME旋钮调节至最小。
2. 将外置放大器和音响设备的音量调节至最小。
3. 打开电源，将电源开关拨至ON。



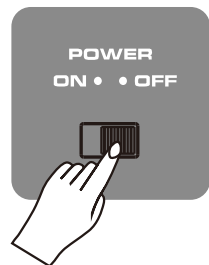
\* 打开电源时，可能听到微弱的声响，这是正常现象，并非故障。

4. 敲击鼓盘、镲片，调节音量。

按照你的需要提高外置放大器及音响设备的音量。

### \*关闭电源

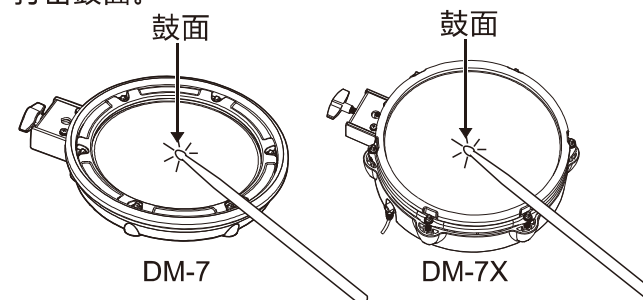
1. 将DM-7/DM-7X外部设备的音量调节至最小。
2. 关闭连接本设备的电源。
3. 将电源开关拨到OFF位置，关闭电源。



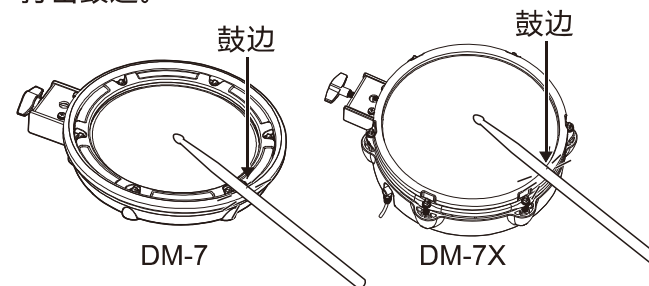
## 演奏方式

### \*军鼓

**面击**  
打击鼓面。

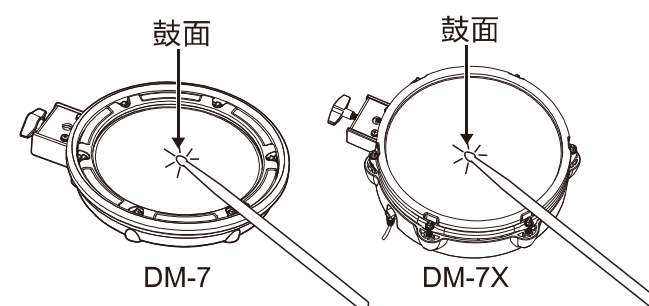


**边击**  
打击鼓边。

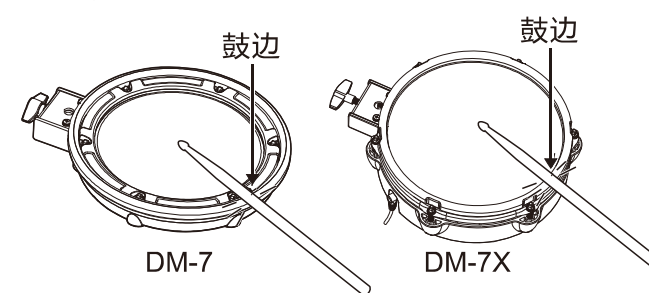


### \*嗵鼓

**面击**  
打击鼓面。

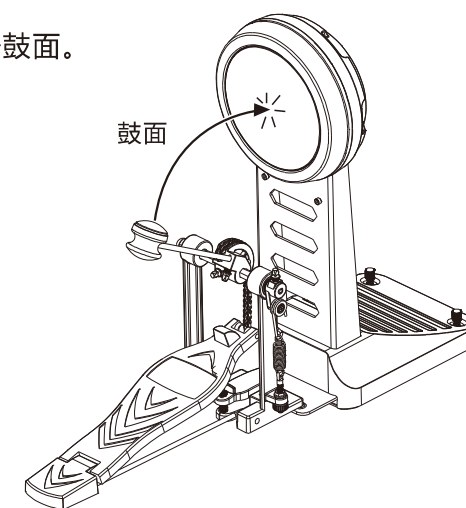


**边击**  
打击鼓边。



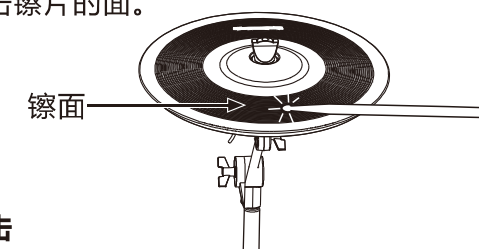
### \*底鼓

**面击**  
打击鼓面。

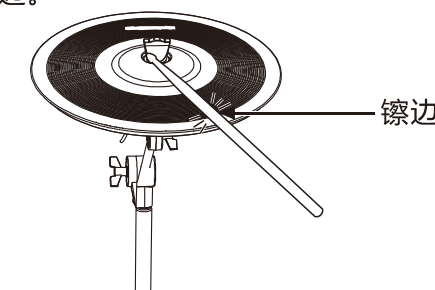


### \*强音镲

**面击**  
打击镲片的面。

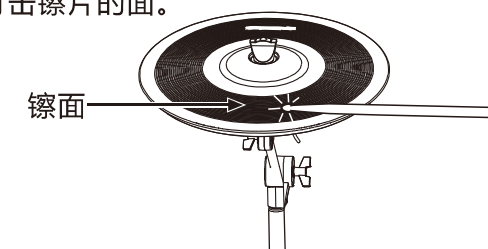


**边击**  
打击镲片的边。



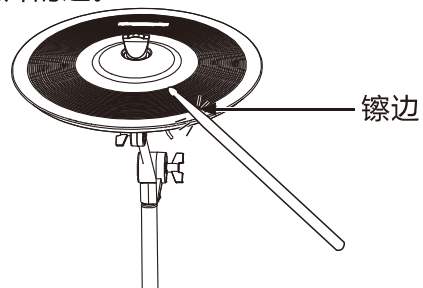
### \*叮叮镲

**面击**  
打击镲片的面。

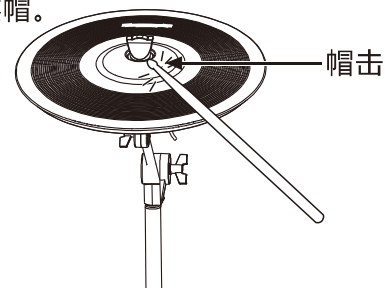




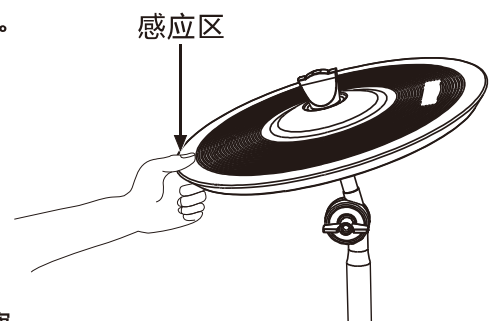
**边击**  
打击镲片的边。



**帽击**  
打击镲帽。



**镲片静音**  
打击镲片后，立即用手捏住镲片的边缘将会进行静音。如下图所示捏住边缘触发器的位置。如果您捏住其它无触发器的位置，镲片将不会静音。

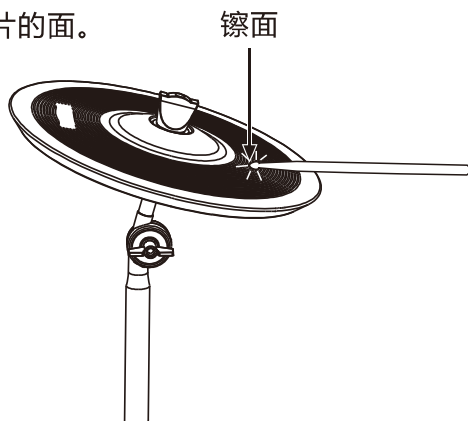


**\* 踩镲**

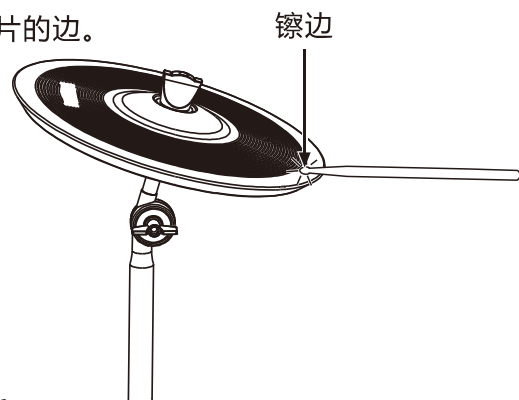
**开放/闭合**

踩镲音色将在开放和闭合之间改变，这将取决于踩镲踏板和踩镲镲片的力度控制。

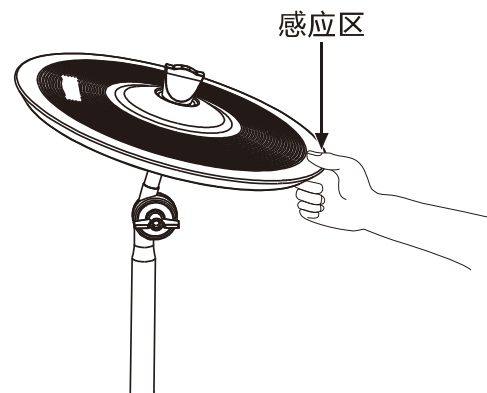
**面击**  
打击镲片的面。



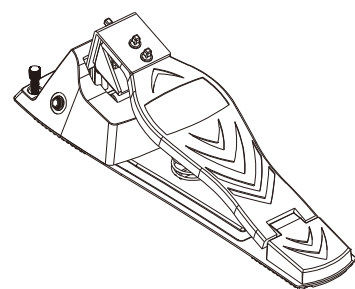
**边击**  
打击镲片的边。



**镲片静音**  
打击镲片后，立即用手捏住镲片的边缘将会进行静音。如下图所示捏住边缘触发器的位置。如果您捏住其它无触发器的位置，镲片将不会静音。



**\* 踩镲控制踏板**



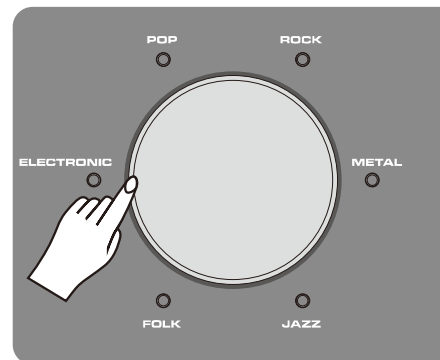
**开放踩镲**  
不踏下踏板，打击踩镲。

**闭合踩镲**  
踏下踏板，打击踩镲。

## 套鼓整体切换

**\* 开机即进入DRUM KIT模式**

1. 使用编码器选择DRUM KIT风格，按下编码器确定风格至指示灯闪烁，再次转动编码器选择风格内套鼓。



2. 在任何模式下转动该编码器进入DRUM KIT模式。

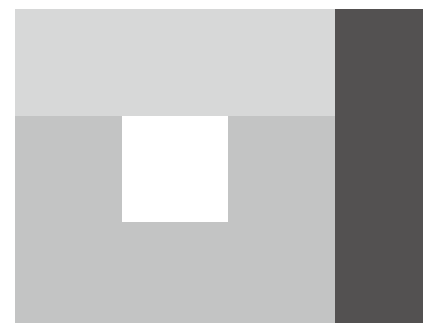
## 套鼓设置

1. 使用编码器选择你想要编辑的套鼓。  
2. 使用下图任意按键进入编辑模式。



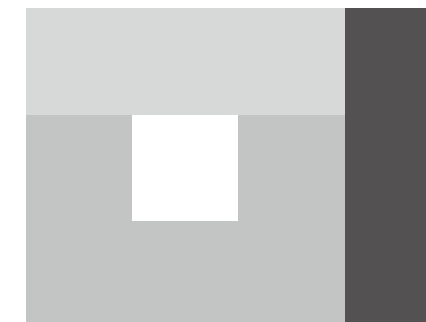
3. 敲击任意鼓盘进行选择需要编辑的打击垫子（或按KICK/SNARE, TOMS/CYMBALS)选择。

进入如下图菜单：



## 套鼓鼓盘设置

1. 在套鼓设置模式下选择你需要编辑的打击垫后进入鼓盘设置模式。



2. 按显示屏按键选择你需要调节的参数。  
3. 使用INSTRUMENT旋钮调节参数。  
4. 切换任意界面自动保存参数。

参数对照表

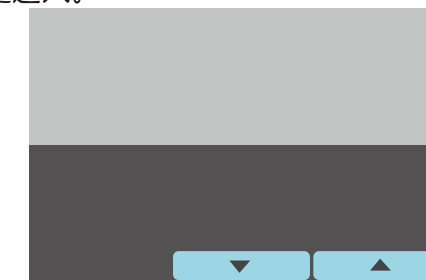
参数名称	调节范围	参数说明
INSTRUMENT		选择当前鼓垫音色
TUNING	-32-0-+32	调节当前打击音色音调
LEVEL	0-127	调节当前打击音色音量

## 鼓盘相位设置

1. 点击主界面的MENU图标。



2. 使用上下图标选择PAD PANNING，按ENTER按键进入。

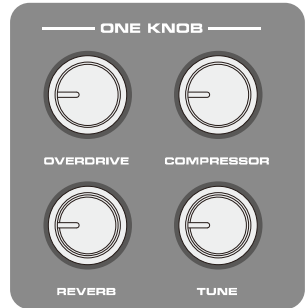


3. 使用上下图标选择你要调节的参数，使用INSTRUMENT旋钮调节参数。



## ONE KNOB效果器调节

DM-7/DM-7X特有的ONE KNOB效果器调节功能，可以方便即时调节各个效果。只需要旋转各个效果器旋钮即可。

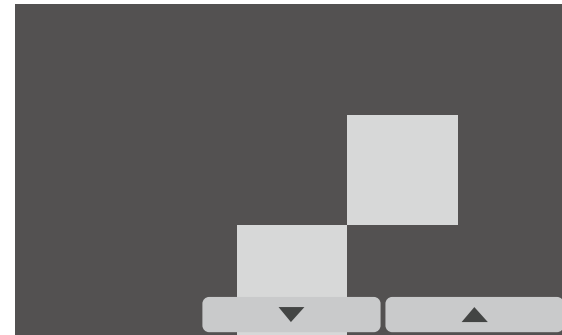


参数对照表

参数名称	调节范围	参数说明
OVERDRIVE	根据指示灯亮度调整效果强度	过载强度调节
COMPRESSOR	根据指示灯亮度调整效果强度	压缩强度调节
REVERB	根据指示灯亮度调整效果强度	混响强度调节
TUNE	根据指示灯亮度调整效果强度	套鼓音高调节

## 鼓组名称编辑

1. 在MENU菜单下选择KIT NAME SET, 按ENTER按键进入编辑界面。



2. 使用INSTRUMENT 旋钮选择字符，按左右图标选择需要编辑的字符。(可选字符：A~Z, 0~9)



3. 修改完毕后按EXIT图标退出并自动保存。

**注：**修改鼓组名称为当下主界面上所显示的鼓组，所以先在主界面确定需要修改的鼓组，再进入菜单修改该鼓组名称。

在DRUM KIT模式下，旋转SONG SELECT旋钮，进入DEMO曲模式。



**注：**PRESET 表示内置的DEMO。USER表示用户的录音。

1. 按PLAY/STOP按键播放或暂停曲目。



2. 按DRUM OFF 按键打开或者关闭DEMO曲中的鼓声。



**注：**在DRUM KIT界面按PLAY/STOP按键播放DEMO曲，播放的曲目在SONG SELECT界面选择。

## SONG SET界面操作

1. 在DRUM KIT界面上按MENU图标进入菜单，按上下图标选择SONG项目，按ENTER按键进入。



2. 进入后通过上下图标和INSTRUMENT旋钮调节参数。



参数对照表

参数名称	调节范围	参数说明
DRUM OFF	DRUM ON-DRUM OFF	DEMO 曲中鼓声打开/关闭
CYCLE PLAY	ON-OFF	循环播放打开/关闭
BACK VOLUME	0-127	背景音乐音量调节
DRUM VOLUME	0-127	鼓声音量调节

**注：**退出该模式时，参数自动保存（DRUM OFF参数除外）。

1. 按面板上REC按键，进入录音界面，敲击任意鼓盘，录音开始。



2. 录音过程中，按暂停图标暂停录音，暂停后按录音图标，继续进行录音。



3. 录音中，停止演奏3秒后，录音终止，或直接按停止图标终止此次录音。终止后可按播放图标听本次录音。



1. 在DRUM KIT界面上，按COACH图标，进入教练功能。



2. 通过上下图标选择你所想练习的功能，并按ENTER按键进入。

## ACCENTS

在此模式下，可以进行重音转移的练习。

1. 按ENTER按键进入此模式，自动四拍预备拍后，练习开始。



2. 结束练习后，自动进入记分界面，为本次练习打分。（按START图标重新开始练习）



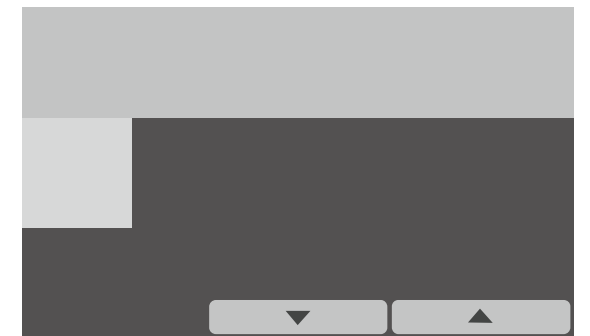
3. 按SETUP图标进入设置界面，按上下图标选择你要调节的参数，使用INSTRUMENT旋钮调节参数。



参数对照表

参数名称	调节范围	参数说明
RHYTHM SHIIFT	8分音符/三连音/十六分音符	重音类型切换
SOUND	FULL/4 <sup>TH</sup> /ACCENT/QUEIT	音响效果切换
SCORE	OFF/4bar/8bar/16bar/32bar	记分方式切换

4. 按CLICK图标进入节拍器设置界面，按上下图标选择你要调节的参数，使用INSTRUMENT旋钮调节参数。



参数对照表

参数名称	调节范围	参数说明
TEMPO	40-240	节拍器速度调节
SOUND	0/1/2/3	节拍器音色类型
VOLUME	0-127	节拍器音量调节
PAN	L64-CENTER-R63	节拍器相位调节

## TIME CHECK

在此模式下，可以训练你的打击准确度。

1. 进入此模式，自动四拍预备拍后，练习开始。



2. 结束练习后，自动进入记分界面，为本次练习打分。（按START图标重新开始练习）



3. 按SETUP图标进入设置界面，按上下图标选择你要调节的参数，使用INSTRUMENT旋钮调节参数。



参数对照表

参数名称	调节范围	参数说明
SCORE	OFF/4BAR/8BAR/16BAR/32BAR	记分方式切换
DISPLAY1	KICK/SNARE/TOMS/RIDE/CYMS/HHAT	测试位置1
DISPLAY2	KICK/SNARE/TOMS/RIDE/CYMS/HHAT	测试位置1
GAUGE	LEFT AHEND/ LEFT BEHIND	测量方式切换

4. 按CLICK图标进入节拍器设置界面，按上下图标选择你要调节的参数，使用INSTRUMENT旋钮调节参数。



参数对照表

参数名称	调节范围	参数说明
TEMPO	40 - 240	节拍器速度调节
BEAT	1 - 9	拍子数调节
RHYTHM	3连音符/4分音符/8分音符/16分音符	音符切换
SOUND	1/2/3/4	节拍器音色类型
VOLUME	0 - 127	节拍器音量调节
PAN	L64 - CENTER - R63	节拍器相位调节

## QUEIT COUNT

在此模式下，你可以训练打击的时值感，节拍器将在‘发声和静音’中交替切换。

1. 进入此模式，自动四拍预备拍后练习开始。



2. 当练习到静音拍时，节拍器静音。



## CHANGE UP

在此模式下，你可以同时训练你在相同时值下，不同音符的演奏速度准确率。

1. 进入此模式，自动四拍预备拍后练习开始。



2. 此模式不设记分，按SETUP图标进入设置界面，按上下图标选择你要调节的参数，使用INSTRUMENT旋钮调节参数。



参数对照表

参数名称	调节范围	参数说明
DURATION	5/10/15/20 MINS	练习时间
CHANGE-UP	16分音符/5连音/6连音	音符调整
MEASURES	1/2/4/8	拍子数调整

3. 按CLICK图标进入节拍器设置界面，按上下图标选择你要调节的参数，使用INSTRUMENT旋钮调节参数。



参数对照表

参数名称	调节范围	参数说明
TEMPO	40-240	节拍器速度调节
BEAT	1-9	拍子数调节
SOUND	1/2/3/4	节拍器音色类型
VOLUME	0-127	节拍器音量调节
PAN	L64-CENTER-R63	节拍器相位调节

3. 每小节练习完成后自动记分，并继续开始练习。



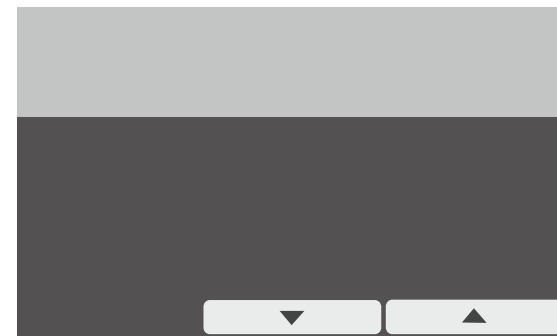
4. 按SETUP图标进入设置界面，按上下图标选择你要调节的参数，使用INSTRUMENT旋钮调节参数。



参数对照表

参数名称	调节范围	参数说明
MEASURES	4/8/12/16	每小节拍子数
QUEIT	1/2/4/8	静音拍子数

5. 按CLICK图标进入节拍器设置界面，按上下图标选择你要调节的参数，使用INSTRUMENT旋钮调节参数。

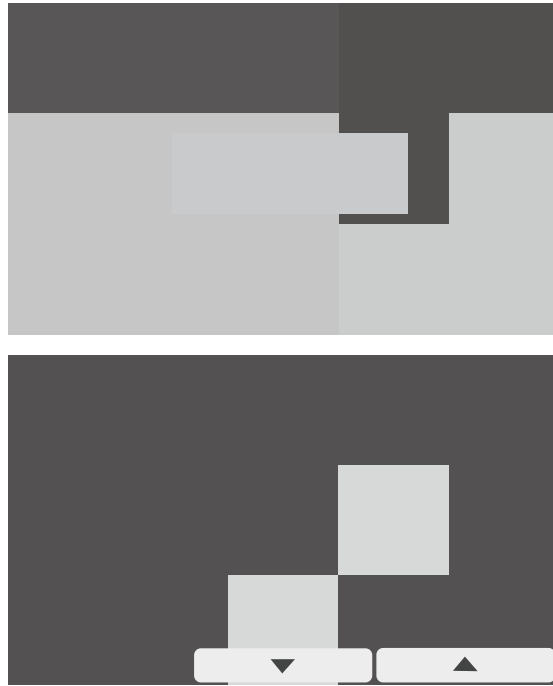


参数对照表

参数名称	调节范围	参数说明
TEMPO	40-240	节拍器速度调节
BEAT	1-9	拍子数调节
RHYTHM	3连音符/4分音符/8分音符/16分音符	音符切换
SOUND	1/2/3/4	节拍器音色类型
VOLUME	0-127	节拍器音量调节
PAN	L64-CENTER-R63	节拍器相位调节

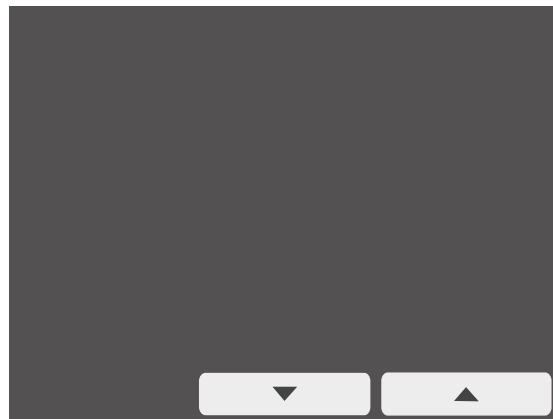
# 系统菜单功能

点击主界面上的MENU图标，进入菜单，并通过上下图标选择你需要设置的项目，按ENTER按键进入。



## HIHAT SETTING

选择HIHAT SETTING，按ENTER按键进入，此界面用于调节踩镲系统数值。



使用INSTRUMENT旋钮调节数值。

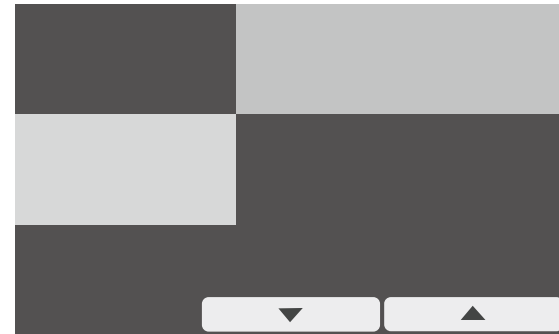
HH VOLUME 踩镲音量调节  
范围：0 - 126

HH OPEN VAL开镲值范围调节  
范围：70 - 126

HH CLOSE VAL闭镲值范围调节  
范围：1 - 60

## TRIGGER

- 在MENU界面中，选择TRIGGER，按ENTER按键进入。
- 敲击打击垫，选择你要设置的打击垫。
- 通过上下图标选择你要调节的参数，使用INSTRUMENT 旋钮调节数值。



\*灵敏度越高，即使轻轻敲打打击垫也会产生响亮声音。灵敏度越低，即使用力敲打打击垫也只会产生小的声音。请多尝试并调节出适合自己打击习惯的灵敏度。

参数对照表

参数名称	调节范围	参数说明
SENSITIVITY	0.1 - 3.2	调节鼓盘灵敏度，灵敏度越高，打击垫即使轻轻敲打也会产生响亮声音。灵敏度越低，即使用力敲打也只会产生小的声音。请多尝试并调节出适合自己打击习惯的灵敏度。
THRESHOLD	0 - 16	调节鼓盘的触发电平。
如右图，B波形将会发声，而A和C波形将不会发生。 注：如果您设置的数值过高时，轻轻打击将不会发声。		
SCANTIME	1MS-8MS	调节触发信号的检测时间。
设置时，请尝试柔和的与有力度的打击，并确认音量自然的改变。 注：如果您设置的数值过高时，发声的时间将拉长。请尽可能的设置为较低的数值。		
MASKTME	4MS-64MS	调节触发信号的屏蔽时间。
注：快速演奏时，过高的数值可能会屏蔽触发信号，故尽可能的调低数值。		

# 系统菜单功能

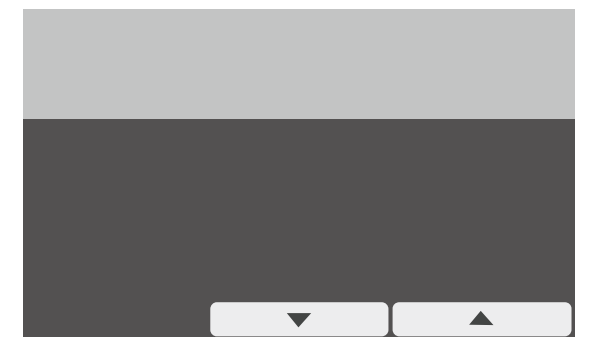
参数对照表

参数名称	调节范围	参数说明
KICK	OFF, 0 - 127	调节底鼓输出midi码
SNARE	OFF, 0 - 127	调节军鼓输出midi码
SNARE RIM	OFF, 0 - 127	调节军鼓边击输出midi码
TOM1	OFF, 0 - 127	调整嗵鼓1输出midi码
TOM1 RIM	OFF, 0 - 127	调整嗵鼓1鼓边输出midi码
TOM2	OFF, 0 - 127	调整嗵鼓2midi码
TOM2 RIM	OFF, 0 - 127	调整嗵鼓2鼓边输出midi码
TOM3	OFF, 0 - 127	调整嗵鼓3输出midi码
TOM3 RIM	OFF, 0 - 127	调整嗵鼓3鼓边输出midi码
RIDE BOW	OFF, 0 - 127	调整叮叮镲镲面输出midi码
RIDE EDGE	OFF, 0 - 127	调整叮叮镲镲边输出midi码
RIDE BELL	OFF, 0 - 127	调整叮叮镲镲帽输出midi码
CRASH1 BOW	OFF, 0 - 127	调整吊镲1镲面输出midi码
CRASH1 EDGE	OFF, 0 - 127	调整吊镲1镲边输出midi码
CRASH2 BOW	OFF, 0 - 127	调整吊镲2镲面输出midi码
CRASH2 EDGE	OFF, 0 - 127	调整吊镲2镲边输出midi码
HH OPEN BOW	OFF, 0 - 127	调整踩镲开镲镲面输出midi码
HH OPEN EDGE	OFF, 0 - 127	调整踩镲开镲镲边输出midi码
HH CLOSE BOW	OFF, 0 - 127	调整踩镲闭镲镲面输出midi码
HH CLOSE EDGE	OFF, 0 - 127	调整踩镲闭镲镲边输出midi码
HH PEDAL	OFF, 0 - 127	调整踩镲踏板输出midi码
TOM4	OFF, 0 - 127	调整拓展嗵鼓4输出midi码
TOM4 RIM	OFF, 0 - 127	调整拓展嗵鼓4鼓边输出midi码

注：退出该模式时，参数自动保存。

## CLICK (节拍器功能设置)

- 在MENU界面中选择CLICK，按ENTER按键进入。
- 通过上下图标选择你要调节的参数，使用INSTRUMENT 旋钮调节数值。



参数对照表

参数名称	调节范围	参数说明
TEMPO	40-240	节拍器速度调节
BEAT	1-9	拍子数调节
RHYTHM	3连音符/4分音符/8分音符/16分音符	音符切换
SOUND	1/2/3/4	节拍器音色类型
VOLUME	0-127	节拍器音量调节
PAN	L64-CENTER-R63	节拍器相位调节

注：退出该模式时，参数自动保存。

RETRIG CANCEL	0-16	调节触发信号的重复触发值。
注：数值设置过高可能会由于打击的力度过小而忽略某些打击信号。故在不发生重复触发的情况下，尽可能设置最小数值。		
XTALK CANCEL	0%-80%	调节交叉串扰值。
打击时，某些没被打的鼓盘也被触发发声，提高被串扰发声的鼓盘的XTALK CANCEL。 注：如果数值设置过高，同时打击时，可能会发生打击力度小的鼓盘不被触发。故在不发生串扰的情况下，数值尽可能的设置最小。		
CURVE	LINEAR/EXP/LOG/LOUD	
RIM GAIN	0.1-3.2	调节边击增益，只对鼓边和镲边有效。
HEAD RIM ADJUST	0.1-3.0	当你用力打击鼓边或镲边时，音色会不如你意时，你可以通过调节RIM ADJUST来改善这一问题。如果数值设置过低，你将不能进行边击演奏。

注：退出该模式时，参数自动保存。

## MIDI NOTE

设置打击垫所对应输出的MIDI码，OFF代表不输出。

- 在MENU界面中，选择MIDI NOTE，按ENTER按键进入。



- 通过上下图标选择你要调节的参数，使用INSTRUMENT 旋钮调节数值。



## FACTORY RESET (恢复出厂设置)

1. 在MENU界面中，选择FACTORY RESET，按ENTER按键进入。
2. 通过上下图标选择你要调节的参数，按ENTER按键进入设置。



参数对照表

参数名称	界面内容	参数说明
RESET CURRENT KT		恢复当前此套鼓组的所有参数至出厂设置。
RESET ALL KT		恢复所有套鼓组的所有参数至出厂设置。
RESET SYSTEM		恢复音源主机系统版本内容至出厂设置。
RESET ALL		恢复所有内容至出厂设置。 (一键还原)

3. 当你调节MEMORY LOCK参数时，如选择LOCK，主屏幕上会出现一个🔒的标志（如下图）。此时代表无论你修改任何参数，都将不会被自动保存。如选择UNLOCK则反之。



参数对照表

参数名称	调节范围	参数说明
TFT BRIGHTNESS	0-10	屏幕亮度调节
MIDI OUT CHANNEL	1-16	Midi信号通道选择
MEMORY LOCK	LOCK / UNLOCK	参数锁定选择
SYSTEM INFORMATION		系统版本信息

## USB-MIDI 功能

使用USB MIDI线连接鼓机USB口与电脑USB口，连接成功后屏幕的USB图标将会点亮。连接成功后，本机响应从电脑传送的MIDI信号及发送MIDI信号到电脑。



## OPTION (其它选项设置)

1. 在MENU界面中，选择OPTION，按ENTER按键进入。
2. 通过上下图标选择你要调节的参数，使用INSTRUMENT旋钮调节数值。



风格	全称
POP	Standard
	Original
	Vintage
	Studio
	Stage
	POP06
	POP07
	POP08
ROCK	Standard
	Stage
	Original
	Studio
	Vintage
	ROCK06
	ROCK07
	ROCK08
METAL	Heavy
	Blast
	90s
	Diabolic
	Progressive
	METAL06
	METAL07
	METAL08
JAZZ	Standard
	Original
	Live
	Swing
	Modern
	JAZZ06
	JAZZ07
	JAZZ08
FOLK	Jing-Opera
	Bangor
	Latin
	Conga
	Africa
	FOLK06
	FOLK07
	FOLK08
ELECTRONIC	Standard
	Morden Machine
	Ambience
	Dubstep
	Stage
	ELECT06
	ELECT07
	ELECT08

备注：每种风格第1-5组为预设鼓组，6-8组为自定义鼓组。



Function		Transmitted	Recognized	Remarked
Basic default		10	1-16	
Channel changed		No	No	
Note		0-127	0-127	
Velocity:	Note on	Yes	Yes	
	Note off	No	Yes	
After Key's		No	Yes	
Touch Channel's		No	Yes	
Control change:	0	No	No	Bank select
	1	No	Yes	Modulation
	5	No	Yes	Portamento time
	7	No	Yes	Volume
	10	No	Yes	Pan
	11	No	Yes	Expression
	64	No	Yes	Sustain pedal
	65	No	Yes	Portamento on/off
	66	No	Yes	Sostenuto pedal
	67	No	Yes	Soft pedal
	120	No	Yes	All sound off
121	No	Yes	Reset all controllers	
123	No	Yes	All note off	
Program change		No	Yes	Yes
System exclusive		No	No	No

复音数:	108
显示:	TFT液晶彩屏
音色:	30套音色
鼓组:	48套鼓组 (30套预置鼓组, 18套用户鼓组)
鼓曲:	20首鼓曲
录音:	10组录音
CLICK:	可编辑节拍器音色, 拍数, 节奏, 速度, 音量
MIDI功能:	USB MIDI, 自动电脑识别
触发器:	3 TOM (双触发), 1 SNARE (双触发), 1 HIHAT (双触发), 1 CRASH (双触发), 1 RIDE (三触发), 1 KICK (单触发)
接口:	耳机接口, 电源接口, OUTPUT, AUX IN, MIDI OUT, TRIGGER IN(CYMBAL/TOM)
电源:	DC 9V

\*技术规格如有变更, 恕不另行通知。

## 有关产品中所含有害物质的说明

为了控制和减少电器电子产品废弃后对环境造成的污染，本资料就本公司产品中所含的特定有害物质及其安全性予以说明。本资料适用于2016年7月1号以后本公司所制造的产品。

### 环保使用期限



此标志适用于在中国国内销售的电子信息产品，表示环保使用期限的年数。所谓环保使用期限是指在制造日起的规定期限内，产品中所含的有害物质不致引起环境污染，不会对人身、财产造成严重的不良影响。环保使用期限仅在遵照产品使用说明，正确使用产品的条件下才有效。不当的使用，将会导致有害物质泄漏的危险。

### 产品中有害物质的名称及含量

部件名称	有害物质					
	铅 (Pb)	汞 (Hg)	镉 (Cd)	六价铬 (Cr(VI))	多溴联苯 (PBB)	多溴二苯醚 (PBDE)
主体	塑胶件	○	○	○	○	○
	五金件	×	○	○	○	○
	硅胶件	○	○	○	○	○
	内置电路板	×	○	○	○	○
附件	*交流电源适配器、线缆					
	×	○	○	○	○	○

\*表示某些产品可能不含有这些项目，上表当中的信息仅在产品含有这些项目时适用。

本表格依据SJ/T 11364的规定编制。

○：表示该有害物质在该部件所有均质材料中的含量均在GB/T 26572规定的限量要求以下。

×：表示该有害物质至少在该部件的某一均质材料中的含量超出GB/T 26572规定的限量要求，因根据现有的技术水平，还没有什么物质能够代替它。

#### 保护环境

如果需要废弃本产品，请遵循本地相关指引，请勿随意丢弃或作为生活垃圾处理，以避免对环境造成污染。

## 质量承诺

亲爱的 **NUX** 用户：

在您使用 **NUX** 产品时，请仔细参阅产品说明书，当您有疑问和困难时，请拨打售后服务热线：

**400-990-9866**

- 一周内出现质量问题可退货退款
- 一月内出现质量问题可调换
- 一年内出现质量问题可免费维修
- 终身享有咨询和维修服务

[ 请向销售商索取正规发票并予以保存 ]

## 换修政策

### 一、包换政策：

1、消费者通过正规授权渠道购买的产品，自购机之日起1个月之内，在正常使用情况下出现非人为的产品性能故障、且产品外观及包装保持完好，可向所购机的经销商换机。

2、消费者在换机时应出示由经销商开出的购机凭证，否则经销商可以不予更换。

### 二、保修政策：

1、消费者通过正规授权渠道购买的产品(以发票所示销售方为准)，自购买之日起1年内，若出现非人为损坏的性能故障，可享受免费维修服务。

2、对于超过1年或人为及不可抗力因素造成损坏的产品，我司可提供有偿维修服务。

\*本售后政策仅适用于中国大陆地区，其它国家及地区以当地售后政策及法律法规为准。

售后服务地址：广东省珠海市高新区唐家湾镇科技九路10号 珠海市蔚科科技开发有限公司 售后服务部 邮编：519085

制造商：深圳市蔚科电子科技有限公司 制造商地址：深圳市南山区蛇口兴华路6号南海意库1号楼507  
电话：0755-2686 9866 网址：www.nuxefx.com 生产商：珠海市蔚科科技开发有限公司  
生产商地址：珠海市高新区唐家湾镇科技九路10号 电话：0756-3689 866 执行标准：Q/WKDZ 003-2020

## 合格证

名称： 电子鼓

检验员：

型号： DM-7/DM-7X

生产日期：

本产品经检验合格  
执行标准：Q/WKDZ 003-2020