

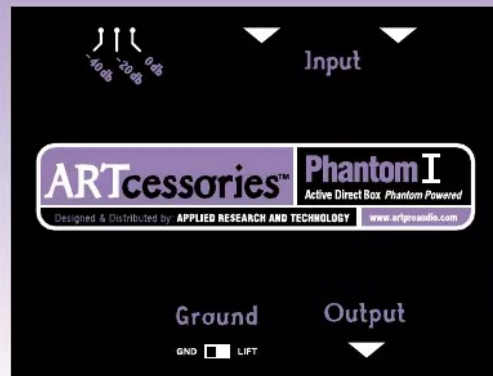
ARTcessories™

Creative audio solutions in cool little boxes.

September 2002

Phantom I

Active Direct Box *Phantom Powered*



The Facts about Active Direct Boxes:

Direct boxes are the sound engineers' Swiss Army knife! Here are some examples:

Problem: You need to connect an amplifier's speaker output to the mic input on a mixer.

Solution: Connect a Phantom I between the speaker output and a mic input with phantom power on the mixer, then set the attenuation switch to -40dB.

Problem: Your PA is humming because there is a ground loop between a signal source and the mixer.

Solution: Connect a Phantom I between the signal source and a mic input with phantom power and set the ground switch to Lift.

Problem: You need to connect an unbalanced line-level source (ie: a synthesizer, another mixer, an effects device, etc.) to a mic input on the mixer.

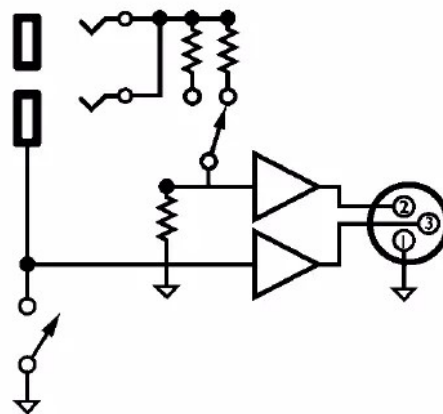
Solution: Connect a Phantom I between the source and a mic input with phantom power and set the Attenuator switch to -20dB.

Specifications:

- Attenuator switch provides two levels of signal padding: -20dB and -40dB
- Ground lift capability is switch-based for convenience
- Dual 1/4", unbalanced inputs are parallel so that one can be used as a thru jack.
- XLR balanced output
- Active LED indicates the presence of phantom power
- Input Level: -10 to +40dB
- Output Level: -10 to +2dB
- Frequency Range: 1Hz - 50kHz
- S/N Ratio: 100dB
- Power: 9 to 48V DC of phantom power

Usage:

- Connect the unbalanced output of the source to one of the 1/4" inputs with either a shielded patch cable or speaker cable depending on the source. If the signal needs to continue on to another unit, simply use another cable connected to the parallel 1/4" input.
- Set the Attenuator switch if necessary to -20dB if the incoming signal is line-level or -40dB if it is from the speaker output of an amplifier.
- Connect the Phantom I's XLR output to a phantom-powered mic input to a mixer or snake with a low-impedance mic cable.
- The Active LED will come on to indicate that phantom power is being received. If it fails to come on, check to see that the mixer's phantom power is switched on.



DESIGNED & DISTRIBUTED BY:



APPLIED RESEARCH AND TECHNOLOGY
215 Tremont St. • Rochester, NY 14608 • USA
For Customer Service, please call: 585.436.2720
Email: cserve@artproaudio.com
www.artproaudio.com

